

MAX SERIES



USER MANUAL
MANUAL DE USUARIO

CONTENT/CONTENIDO

English

Safety Instructions	3
Quick Start Guide	5
Rear Panel Details.....	7
General Description - MAX SERIES family.....	9
MAX 10 Specifications.	10
MAX 12 Specifications.	11
MAX 15 Specifications.	12
Applications and Functionality.....	13
Bluetooth Connectivity	13
Positioning and Installation.	14
Cables and Connectors	17
Application Examples	18
Troubleshooting	20
Warranty Term	39

Español

Instrucciones de seguridad	21
Guía de inicio rápido	23
Detalles del panel trasero	25
Descripción general - Familia MAX SERIES.	27
Especificaciones MAX 10.....	28
Especificaciones MAX 12.....	29
Especificaciones MAX 15.....	30
Aplicaciones y características.....	31
Conectividad Bluetooth.....	31
Colocación y instalación.	32
Cables y conectores	35
Ejemplos de aplicación.....	36
Solución de problemas	38
Término de garantía	39

SAFETY INSTRUCTIONS



The JBL MAX product line covered by this manual is not intended for use in high humidity environments. High humidity levels can damage parts of the transducers, in addition to causing the metal parts and electrical contacts in the circuits to oxidize. Avoid exposing the speakers to direct moisture and do not use them in environments where the surfaces are condensing.

Keep the powered speakers out of direct, prolonged, or intense sunlight. Internal parts of the product can be damaged due to high temperatures generated by sunlight, and product surfaces can be degraded by prolonged exposure to intense ultraviolet (UV) light.

Products in the JBL MAX line can generate considerable sound pressure levels. When placed on a slippery surface, the powered speaker may move due to its operation at high volume. Precautions must be taken to ensure that the powered speaker does not fall from the surface on which it is placed.

HEARING DAMAGE, PROLONGED EXPOSURE TO EXCESSIVE SOUND PRESSURE LEVELS

Products in the JBL MAX line are capable of generating sound pressure levels (dB SPL) sufficient to cause permanent hearing damage to artists, production staff, and audiences. Precautions must be taken to avoid prolonged exposure to sound pressure levels above 85 dB SPL.

MAINTENANCE AND CLEANING

THESE EQUIPMENTS CONTAIN POTENTIALLY LETHAL VOLTAGES. TO AVOID THE HAZARD OF ELECTRIC SHOCK, DO NOT REMOVE THE CHASSIS, AMPLIFIER MODULE OR AC INPUT COVERS. THERE ARE NO USER-SERVICEABLE PARTS INSIDE THE PRODUCT. TECHNICAL ASSISTANCE PROCEDURES MUST BE CHARGED BY DULY QUALIFIED PERSONNEL BY THE MANUFACTURER.

Products can be cleaned with a dry cloth. Do not allow moisture to enter through any openings in the system. Make sure the system is unplugged from the AC outlet before cleaning.

RoHS COMPLIANCE

This product complies with Directive 2011/65/EU and (EU) 2015/863 of the European Parliament and of the Council of 19. 03/31/2015 on the restriction of the use of certain hazardous substances in electrical and electronic equipment.

FCC STATEMENT

1. This device complies with Part 15 of the FCC Rules. Operation is subject to the following two conditions:
 - (1) This device may not cause harmful interference.
 - (2) This device must accept any interference received, including interference that may cause undesired operation.
2. Changes or modifications not expressly approved by the party responsible for compliance could void the user's authority to operate the equipment.

NOTE: This equipment has been tested and found to comply with the limits for a Class B digital device, pursuant to Part 15 of the FCC Rules. These limits are designed to provide reasonable protection against harmful interference in a residential installation. This equipment generates uses and can radiate radio frequency energy and, if not installed and used in accordance with the instructions, may cause harmful interference to radio communications. However, there is no guarantee that interference will not occur in a particular installation. If this equipment does cause harmful interference to radio or television reception, which can be determined by turning the equipment off and on, the user is encouraged to try to correct the interference by one or more of the following measures:

- Reorient or relocate the receiving antenna.
- Increase the separation between the equipment and receiver.
- Connect the equipment into an outlet on a circuit different from that to which the receiver is connected.
- Consult the dealer or an experienced radio/TV technician for help.

FCC Radiation Exposure Statement

This equipment complies with FCC radiation exposure limits set forth for an uncontrolled environment. This equipment should be installed and operated with minimum distance 20cm between the radiator & your body.

The MAX 10, MAX 12 and MAX 15 models are equipped with the MAXBT Bluetooth module - Bluetooth 5.0 BLE (GFSK/1 MBps), BTH EDR (GFSK/8DPSK).



09926-21-10879

This equipment is not entitled to protection against harmful interference and may not cause interference in properly authorized systems.

SAFETY INSTRUCTIONS

1. READ these instructions.
2. KEEP these instructions.
3. HEED all warnings.
4. FOLLOW all instructions.
5. DO NOT use this equipment near water.
6. CLEAN ONLY with a dry cloth.
7. DO NOT block the ventilation openings in the amplifier module panel.
Do not install the powered speaker near heaters, ovens, radiators, or any other heat sources. Install the powered speaker so that the rear panel remains at least 50 cm from any obstacles. Install the product in a ventilated place to avoid overheating and shortening its lifespan.
8. DO NOT modify the AC electrical connector on the cable provided with the product or on the amplifier panel. An electrical connector has two power pins and a third ground pin, designed for your safety. If the provided electrical connector does not fit into the outlet, consult an electrician for adaptation to the location where the product will be installed.
9. DO NOT defeat the safety purpose of the electrical connector. An electrical connector has two power pins and a third ground pin, which is provided for your safety. If the provided electrical connector does not fit into the outlet, consult an electrician for replacement of the obsolete outlet.
10. PROTECT the power cord to prevent it from being crushed or pinched, particularly at connectors, general purpose outlets and the exit point of the equipment.
11. USE ONLY attachments/accessories specified by the manufacturer.
12. USE ONLY with a wheeled cart, stand, tripod, or table specified by the manufacturer, or sold with the equipment. When using a transporter cart, use caution when moving the cart/equipment combination to avoid injury from falling.
13. UNPLUG the equipment from the power outlet during weather conditions such as thunderstorms or when unused for long periods of time.
14. ENTRUST maintenance and repairs only to suitably qualified personnel from authorized service centers. The product must be serviced or repaired when the equipment is damaged in any way, such as when the power cord or connector is damaged, when liquid has been spilled or objects have fallen into the equipment, when the equipment has been exposed to rain or moisture, not working properly or has been dropped.
15. DO NOT expose the equipment to dripping or splashing, and ensure that no objects filled with liquids, such as vases, are on top of the equipment.
16. To completely disconnect this equipment from the AC mains, disconnect the power cord connector from the AC outlet.
17. When the power outlet is used as the sole means of disconnection, the power outlet must remain accessible at all times.
18. DO NOT overload wall outlets or extension cords beyond their rated capacity, as this could result in electric shock or fire.
19. For proper ventilation, do not install this equipment in a confined or enclosed space such as a bookcase or similar unit.
20. The ventilation of the product must not be impeded by covering the ventilation openings with items such as newspapers, tablecloths, curtains, etc.



The arrow ray within an equilateral triangle is intended to alert the user to the risk of electric shock.



The exclamation point within an equilateral triangle is intended to alert the user to the presence of important instructions for use and maintenance (repairs) in the documentation accompanying the product.

WARNING: To reduce risk of fire or electric shock, do not expose this equipment to rain or moisture.

WARNING: Do not place any source of fire near the product, e.g., lighted candles.

WARNING: The equipment must be connected to an electrical outlet with a protective ground connection.

WARNING: This product is intended for use ONLY with voltages listed on the rear panel (110-127V or 220-240V). Operation at voltages other than those indicated may cause irreversible damage to the product and void its warranty (for example, product is set to 110-127V and is connected to an 220~240V AC outlet). Caution is recommended when using AC Plug Adapters as this may allow the product to be connected to voltages that it is not designed to operate at. If in doubt about the correct operating voltage, contact your local distributor and/or dealer. Regarding the power cord, use only the type provided or specified by the manufacturer or your local distributor.

OPERATING TEMPERATURE RANGE:

0°C to 40°C (32°F to 104°F)



WARNING: Do not open! Risk of electric shock. The voltages in this equipment are harmful to life. There are no user serviceable parts inside. Entrust maintenance and repairs to suitably qualified personnel.

Place the equipment near a power outlet and make sure you can easily access the circuit breaker switch.



Protective ground terminal. The equipment must be connected to an electrical outlet with a protective ground connection.

Prevention of hearing loss



Caution: Hearing loss may occur if earphones or headphones are used at high volume for long periods of time.

Note: To avoid possible hearing damage, do not listen at high volume levels for long periods.

Attention: According to Brazilian Law No. 11,291, prolonged exposure to noise above 85dB can damage the auditory system.

QUICK START GUIDE

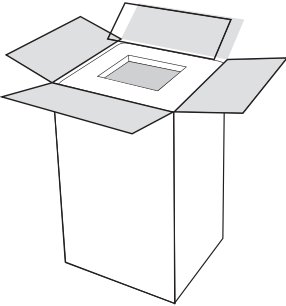
Congratulations on purchasing the JBL professional powered speaker MAX SERIES! We know you are looking forward to turning it on as soon as possible and that is why you are reading this section. The following information will help you prepare as quickly as possible.

Packaging Content

Your MAX system must include the following:

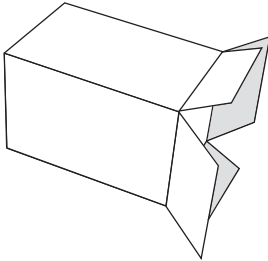
- 1 x MAX Powered Speaker
- 1 x 1.8m AC Power Cord
- 1 x Manual and Technical Brochure
- 1 x Warranty Certificate

Unpack it



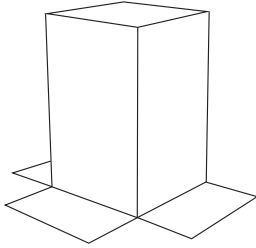
1

Open the top of the package.



2

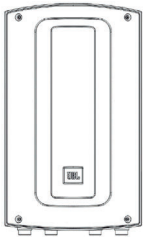
Tilt the package on its side, turning it face down.



3

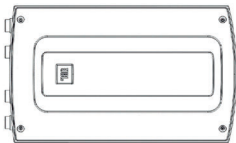
Lift the package, revealing the MAX powered speaker.

Mounting Options



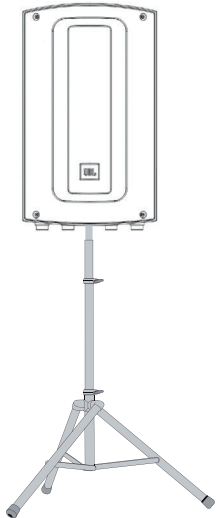
1

Default position



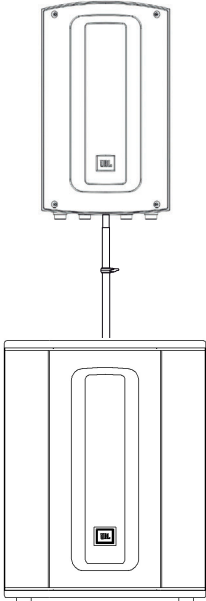
2

Monitor position



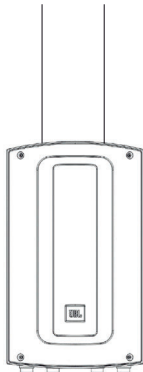
3

Tripod mount



4

Subwoofer mount



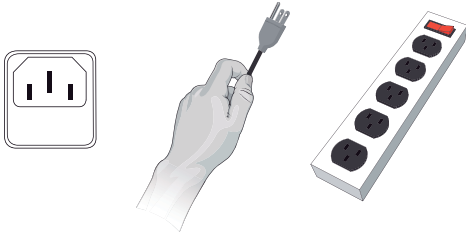
5

Suspended

QUICK START GUIDE

- 1 Check the mains voltage at the outlet where the powered speaker will be installed.
- 2 According to the mains voltage, set the voltage selection switch to 127 or 220 volts on the rear panel of the powered speaker (if you have any doubts, do not proceed and ask for assistance from a technician).
See page 7, item R.

- 3 Connect one end of the AC power cord to the powered speaker and the other end to an electrical outlet.



- 4 To turn on the powered speaker, change the switch position to "ON".

IMPORTANT: To avoid damage to the product's internal circuits, it is mandatory to adjust the power supply voltage selector on the rear panel of the speaker, according to the electrical network voltage of the place where the product will be installed. If you have any doubts about setting the supply voltage selector, identifying the mains voltage at the installation site, or any other questions, ask a trained technician or an electrician for assistance.

CONNECT THE INPUTS

1. Turn the Master Volume control all the way to the left before connecting any cables to the audio inputs.
2. Connect the device signal cables to the CH1, CH2 and CH3 input connectors, according to your application.

SETTING THE CHANNELS

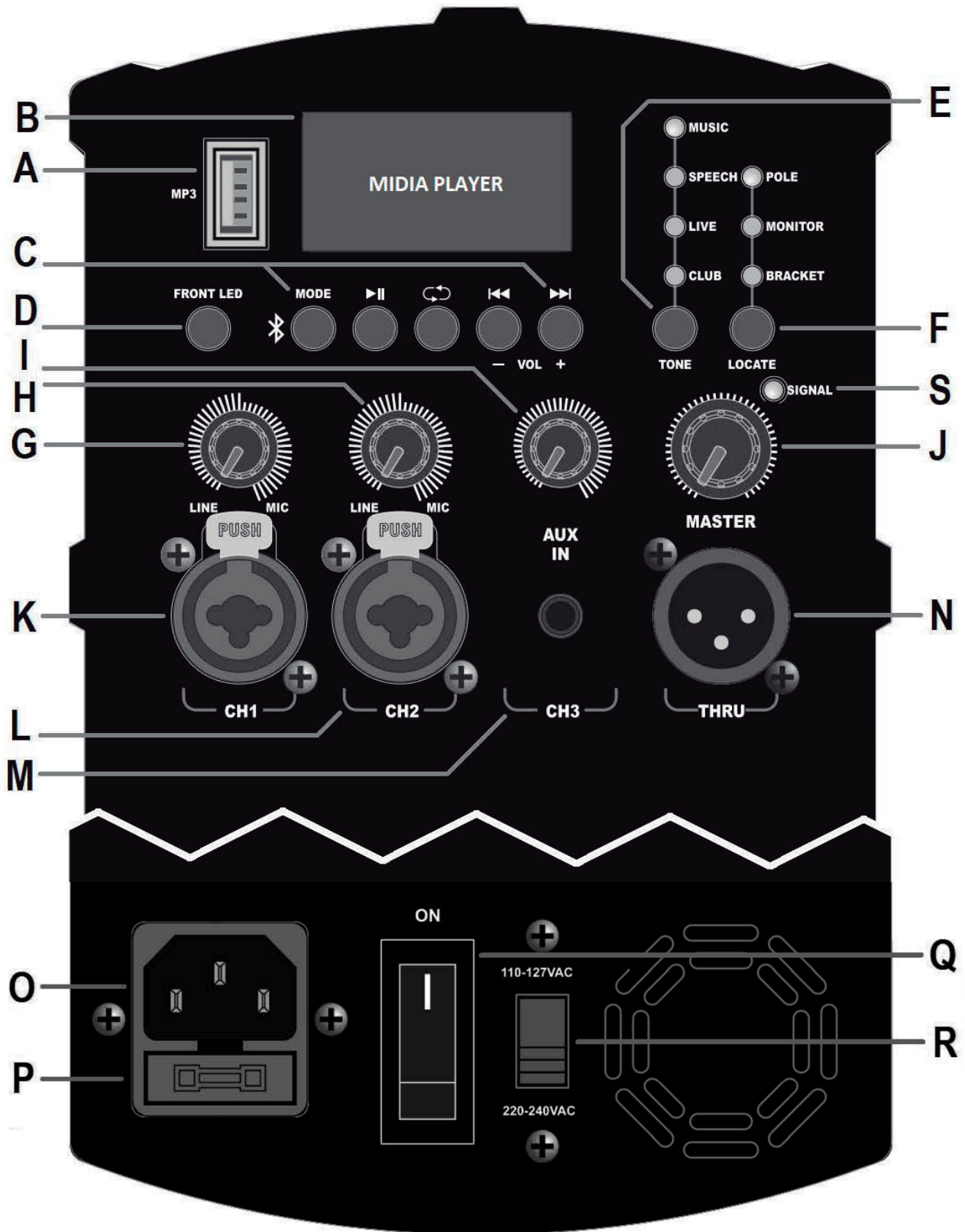
1. Select a Preset with the Preset EQ Selection button.
2. Determine the source of the Gain of CH1 and CH2. For the microphone, set it to 3 h. For line source, set it to 9 h.
3. Slowly turn the Master Volume control to the right until you reach the desired volume.

PAIR AUDIO BY BLUETOOTH™

This device supports audio reception via Bluetooth. To connect your device:

1. Enable Bluetooth on the source device.
2. Press the MODE button until the streaming audio reception mode is displayed on the product's graphic display. The product will start pairing mode automatically.
3. Find the desired powered speaker on your device and select it.

REAR PANEL DETAILS



REAR PANEL DETAILS

A. USB Port

Use to play music in MP3 and WAV formats through a USB 2.0 or 3.0 pen drive (5V/100mA) with a capacity of up to 64GB (formatted in FAT32 or exFAT). Do not use any types of external hard drives, adapters or mobile devices, such as smartphones and tablets, at the risk of damage to the internal circuits. This USB port does not support power charging for external devices.

B. LCD Display

Displays information about Media Player.

C. Media Player Controls

Media Player control buttons. MODE (toggles between USB and BT modes), PLAY/PAUSE, REPEAT, PREVIOUS (-VOL on hold) and NEXT (+VOL on hold).

D. Front LED Button

Use to turn on/off the front light.

E. TONE Selection Button

Use this button to switch between the five different settings. Being: MUSIC, SPEECH, LIVE, CLUB and FLAT (all lights off).

F. LOCATE Selection Button

Use this button to toggle between three different settings, namely: POLE, MONITOR and BRACKET.

G,H,I. CH1, CH2 and CH3 Volume Control

They control the gain of CH1, CH2 and CH3, respectively. Turning the knob to the left reduces the gain and turning the knob to the right increases the gain.

J. MASTER Master Volume Control

Controls the unit's master volume. Turning the knob to the left decreases the overall speaker volume. Turning the control to the right increases the overall powered speaker volume.

K,L. XLR/P10 Combo Inputs

These balanced inputs accept either a standard XLR (male) connector or a 1/4" P10 connector (TRS or TS). You can connect various types of musical instruments, microphones, mixers, and DJ mixers. The sensitivity of these inputs is automatically adjusted by the MIC/LINE volume controls.

M. AUX Input

This auxiliary input accepts a stereo P2 connector (3.5 mm). It can connect a wide range of devices such as tablets, smartphones, and laptops.

N. THRU Output

This XLR (male) output connector provides a means of sending an audio signal to an external device. The signals from channels CH1, CH2, CH3 and the Media Player are summed and sent to the THRU connector, and the volume control of each channel is reflected in the output.

O. Electrical Outlet

Connect the AC power cord supplied with the product to the electrical outlet on the back of the case. Plug the other end of the power cord into an available outlet.

P. Fuse holder

Product protection fuse compartment. Use fuse as specified in the technical specifications of this manual. Replacement should only be performed by a qualified technician.

Q. On/Off switch

Use this switch to turn the equipment on and off. Before turning on, check that the equipment is connected to the correct supply voltage, according to the local electrical installation.

R. Power Selector Switch

Supply voltage selector switch, to adjust this switch, always perform this change with the equipment turned off and with the electrical power outlet removed.

S. SIGNAL Indicator

Audio signal presence light (green) if there is a signal in any of the K, L, M inputs or coming from the Media Player. This indicator will alternate color (orange) if the signal level reaches the maximum required to provide maximum sound output.

Remark:

Only JBL MAX 12 and JBL MAX 15 models have a ventilation opening at the bottom of the rear panel.

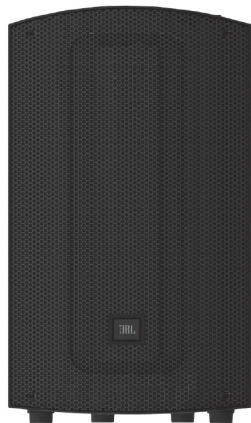
GENERAL DESCRIPTION - MAX SERIES FAMILY



MAX 10

10" portable powered speaker with Bluetooth

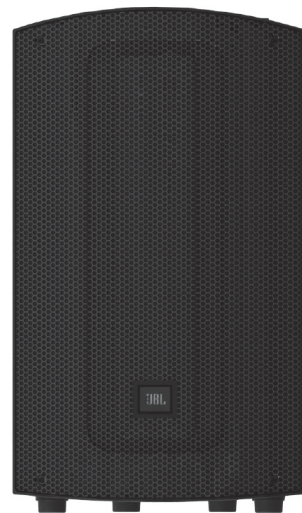
- 250 WRMS
- 11.3 kg (24.9 lb)
- 60 Hz - 18 kHz



MAX 12

12" portable powered speaker with Bluetooth

- 350 WRMS
- 15.9 Kg (35 lb)
- 55 Hz - 19 kHz



MAX 15

15" portable powered speaker with Bluetooth

- 350 WRMS
- 19 Kg (41.9 lb)
- 49 Hz - 19 kHz

Thank you for purchasing the JBL MAX SERIES!

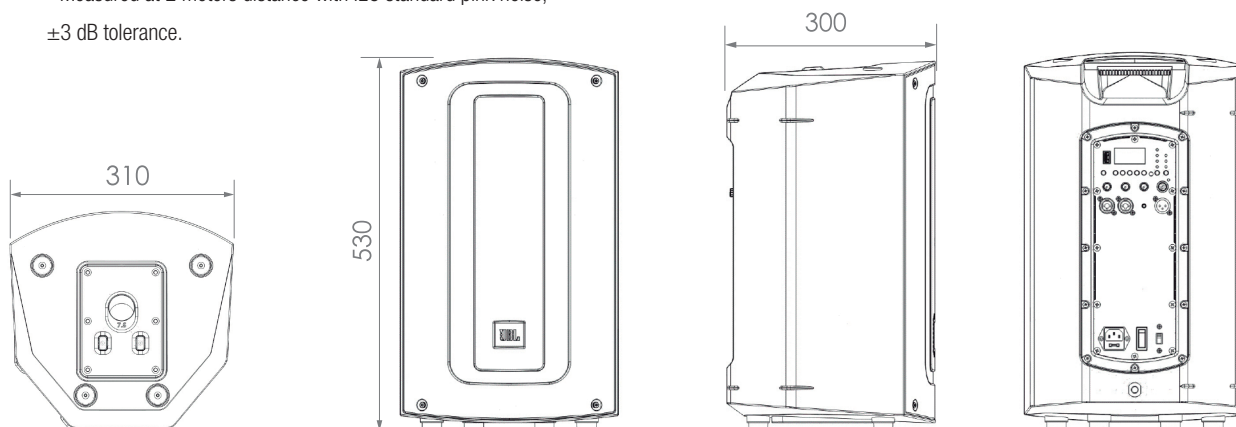
The professional powered speaker market is a highly competitive space where sound quality and volume can still pose a challenge for consumers looking for professional quality speakers. There are many competitors on store shelves or on Internet search lists that take into account only the visual part of the product, forgetting that a professional powered speaker needs to have, above all, a loud and clear sound.

The JBL MAX series is designed to provide budget conscious consumers without sacrificing high quality, professional features, and intuitive use.

MAX 10 SPECIFICATIONS

TYPE OF SYSTEM:	Amplified, two-way, 10" with DSP
STRUCTURE:	Molded polypropylene
MAXIMUM SPL:	127 dB Maximum SPL*
FREQUENCY RESPONSE (+3 dB):	70 Hz - 16.5 kHz
FREQUENCY RESPONSE (+10 dB):	60 Hz - 18 kHz
COVERAGE PATTERN:	110° (horizontal) x 60° (vertical) nominal
RATED OUTPUT POWER:	200 WRMS (Class D, LF) + 50 WRMS (Class AB, HF)
WOOFER DIAMETER:	10.0"
DRIVER DIAMETER:	1.0"
INPUT CONNECTIONS:	2 x Combo (XLR/P10), 1 x P2, 1 x USB
INPUT IMPEDANCE:	100 kΩ
SIGNAL OUTPUT (THRU):	1 x XLR
BLUETOOTH:	Streaming audio reception, Bluetooth version 5.0
DSP:	Tone and Locate Functions Predefined Independent Compressors and Limiters
A.C. POWER SUPPLY:	110-127V or 220-240V (manually selectable)
MAXIMUM POWER CONSUMED:	250 WRMS
FUSE:	T5.0AL/250V
MOUNTING:	35 mm rod socket
LIFT POINTS:	3 points with standard M10 thread
NET WEIGHT:	11.3 kg (24.9 pound)
DIMENSIONS (H x W x D);	531 x 310 x 300 mm (20.91 x 12.21 x 11.81 in.)
GROSS WEIGHT:	13,80 kg (30,4 lb)
PACKAGE DIMENSIONS (H x W x D):	595 x 385 x 395 mm (23,42 x 15,15 x 15,55 in.)

* Measured at 2 meters distance with IEC standard pink noise, ±3 dB tolerance.



Bottom view

Front view

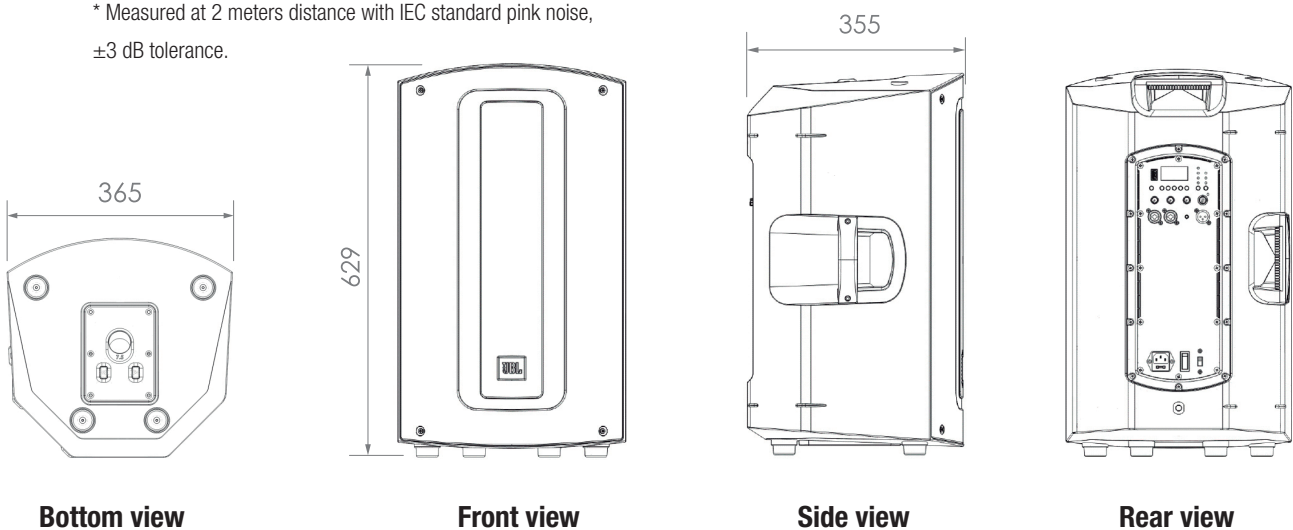
Side view

Rear view

MAX 12 SPECIFICATIONS

TYPE OF SYSTEM:	Amplified, two-way, 12" with DSP
STRUCTURE:	Molded polypropylene
MAXIMUM SPL:	128 dB Maximum SPL*
FREQUENCY RESPONSE (+3 dB):	65 Hz - 16.5 kHz
FREQUENCY RESPONSE (+10 dB):	55 Hz - 19 kHz
COVERAGE PATTERN:	100° (horizontal) x 60° (vertical) nominal
RATED OUTPUT POWER:	300 WRMS (Class D, LF) + 50 WRMS (Class AB, HF)
WOOFER DIAMETER:	12.0"
DRIVER DIAMETER:	1.35"
INPUT CONNECTIONS:	2 x Combo (XLR/P10), 1 x P2, 1 x USB
INPUT IMPEDANCE:	100 kΩ
SIGNAL OUTPUT (THRU):	1 x XLR
BLUETOOTH:	Streaming audio reception, Bluetooth version 5.0
DSP:	Tone and Locate Functions Predefined Independent Compressors and Limiters
A.C. POWER SUPPLY:	110-127V or 220-240V selectable
MAXIMUM POWER CONSUMED:	400 WRMS
FUSE:	T6.3AL/250V
MOUNTING:	35 mm rod socket
LIFT POINTS:	3 points with standard M10 thread
NET WEIGHT:	15.9 kg (35 lb)
DIMENSIONS (H x W x D):	629 x 365 x 355 mm (24.76 x 14.37 x 13.98 in.)
GROSS WEIGHT:	18,55 kg (40,9 lb)
PACKAGE DIMENSIONS (H x W x D):	690 x 445 x 445 mm (27,16 x 17,52 x 17,52 in.)

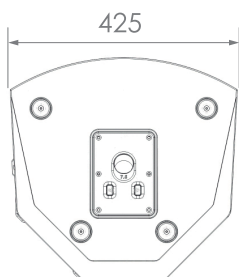
* Measured at 2 meters distance with IEC standard pink noise, ±3 dB tolerance.



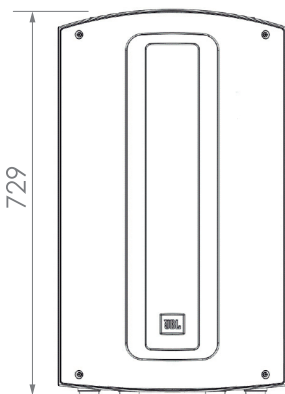
MAX 15 SPECIFICATIONS

TYPE OF SYSTEM:	Amplified, two-way, 15" with DSP
STRUCTURE:	Molded polypropylene
MAXIMUM SPL:	129 dB Maximum SPL *
FREQUENCY RESPONSE (+3 dB):	59 Hz - 16.5 kHz
FREQUENCY RESPONSE (+10 dB):	49 Hz - 19 kHz
COVERAGE PATTERN:	100° (horizontal) x 60° (vertical) nominal
RATED OUTPUT POWER:	300 WRMS (Class D, LF) + 50 WRMS (Class AB, HF)
WOOFER DIAMETER:	15.0"
DRIVER DIAMETER:	1.35"
INPUT CONNECTIONS:	2 x Combo (XLR/P10), 1 x P2, 1 x USB
INPUT IMPEDANCE:	100 kΩ
SIGNAL OUTPUT (THRU):	1 x XLR
BLUETOOTH:	Streaming audio reception, Bluetooth version 5.0
DSP:	Tone and Locate Functions Predefined Independent Compressors and Limiters
A.C. POWER SUPPLY:	110-127V or 220-240V selectable
MAXIMUM POWER CONSUMED:	400 WRMS
FUSE:	T6.3AL/250V
MOUNTING:	35 mm rod socket or lifting (3 points)
LIFT POINTS:	3 points with standard M10 thread
NET WEIGHT:	19 kg (41.9 lb)
DIMENSIONS (H x W x D):	729 x 425 x 415 mm (28.71 x 16.73 x 16.34 in.)
GROSS WEIGHT:	22,85 kg (50,37 lb)
PACKAGE DIMENSIONS (H x W x D):	795 x 495 x 515 mm (31,30 x 19,49 x 20,27 in.)

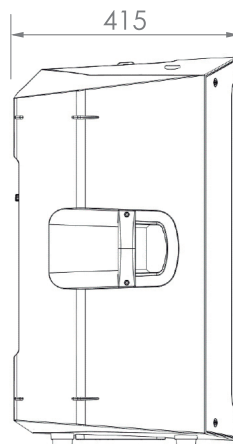
* Measured at 2 meters distance with IEC standard pink noise, ±3 dB tolerance.



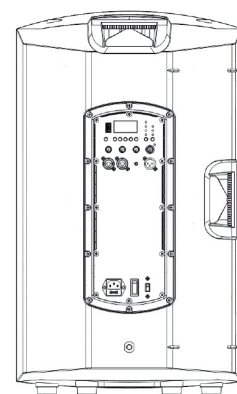
Bottom view



Front view



Side view



Rear view

APPLICATIONS AND FUNCIONALITY

MUSICIANS/ARTISTS

Musicians and artists looking for a robust, easy-to-use, great-sounding powered speaker in a portable, affordable design.

PRESENTERS/INSTRUCTORS

Fitness instructors and presenters looking for a compact, easy-to-use PA solution with Bluetooth audio and built-in MP3 playback.

FIXED INSTALLATIONS

Installations in churches, theaters or spaces that require professional sound quality with ease of use and minimal setup time.

FUNCTIONALITIES

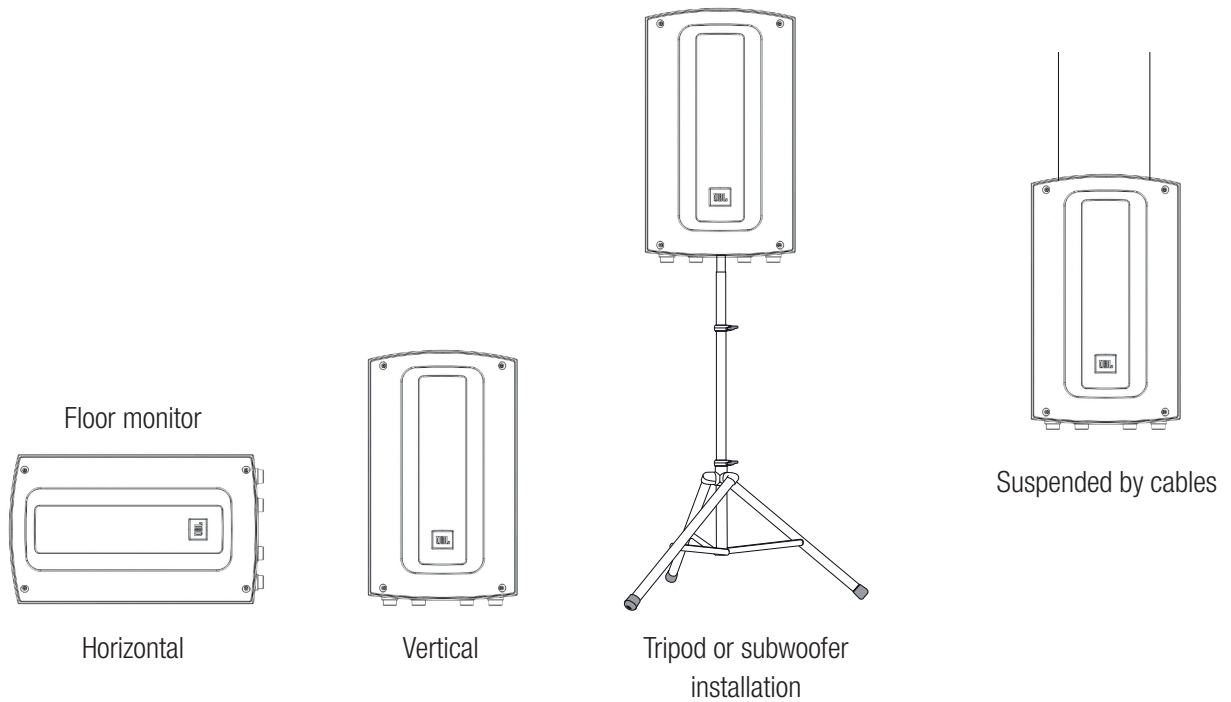
- High efficiency class D amplifier for the woofer and class AB for the driver.
- Three two-way versions available: MAX10 (10"), MAX12 (12") and MAX15 (15").
- Ultra-fast audio streaming via Bluetooth 5.0.
- MP3 Player via flash drive with folder change.
- High quality display.
- Tone are five electronic tone presets.
- Locate are three electronic adjustment presets for positioning.
- 2 XLR / TRS combo input combos accept mic or line.
- XLR signal output for system expansion.
- Lightweight, portable, and durable design.
- Polypropylene case with ultra-resistant screen.
- Integrated socket with two angles for rod or pedestal mount.
- Ergonomic handles for easy transport.

BLUETOOTH CONECTIVITY

How to Connect a Bluetooth Device to a MAX Speaker:

- Press the MODE button until the streaming audio reception mode is displayed on the product's graphic display. The product will start pairing mode automatically.
- Navigate to the Bluetooth settings of your smartphone or tablet device.
- Select the MAX Speaker you want to pair. The speaker's name will be JBL MAX "XX", where "XX" is the number according to the speaker size, 10, 12 or 15 inches.
- When the connection is successful, the name of your smartphone or tablet device will appear on the Media Player display.

POSITIONING AND INSTALLATION



The following guidelines will help you get great sound wherever you use your MAX SERIES speakers:

Place speakers properly.

For best results, when using the powered speakers on a pedestal or tripod, position the top of the MAX line between 0.6 to 1.2 meters above the listening line (audience head) to avoid obstacles to the sound, thus considerably improving auditory perception both near and far from the sound system.

Place the speakers between the microphones and the audience.

The best kind of feedback (microphony) is one that never happens. When we have an assembly with the speakers positioned in such a way as to prevent the sound from the speakers returning to the microphones, it is the best possible option, for this always place the microphones between the speakers and the audience, to assist in this application, use the function Tone in the live option (when using musical instruments and microphones) or speech (when using only with microphones) so your MAX will be automatically adjusted for live use, in order to offer the best sound before the feedback. For best performance use microphones from the AKG line.

POSITIONING AND INSTALLATION

Choose the right shade for each application.

You have at your disposal a set of equalization features that adjust the MAX SERIES to most musical styles, in applications such as DJs or music streaming at home parties. For electronic music, use the Tone function in CLUB mode, for Latin music, Reggae and Pop use this key in MUSIC mode and for Country and Rock and Roll, use this function with all lights off, to activate the fifth function. These are suggestions depending on the frequency spectrum of each musical style, but feel free to choose the mode that best suits your style.

Use speakers that are distributed over larger areas or that are reverberant.

Distributing the powered speakers (spaced 12 meters apart) causes less sound to be directed towards the walls, improving speech interpretation due to room acoustics problems. XLR Thru output can assist in connecting multiple MAX SERIES units in this application

Adjusting the Locate feature for use.

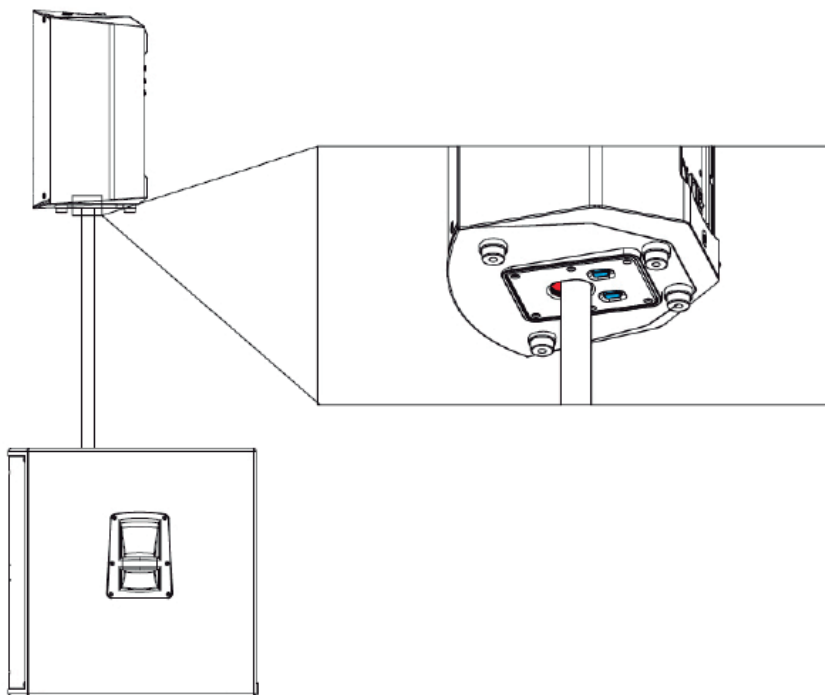
This feature is intended to compensate through frequency equalization, the attenuation that the air offers the highest frequencies as a function of distance, which reduces the sound intensity for people farthest from the powered speaker. This feature is intended to compensate for this physical phenomenon, and for close applications such as stage return, use this function in MONITOR mode, in pedestal or tripod applications use POLE mode and for hoisted or pedestal applications with long reach (larger than 12 meters) use the Locate function in BRACKET mode.

POSITIONING AND INSTALLATION

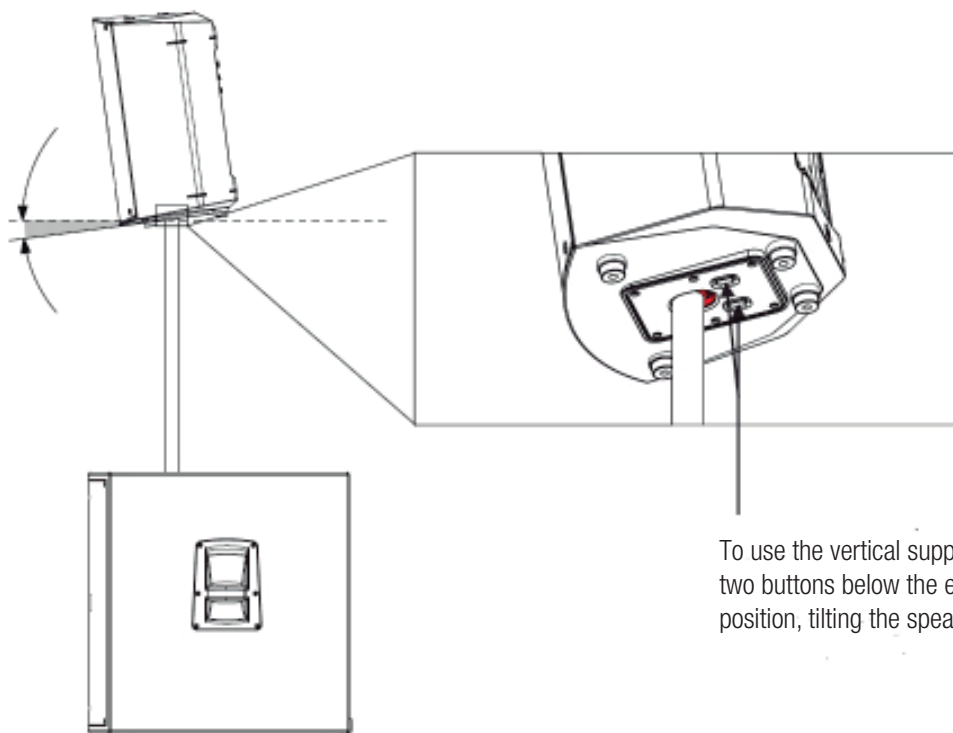
Using the vertical support at 0°

To use the tilt-free vertical stand, press the two buttons below the powered speaker and adjust to the 0° position indicated.

Use the bracket in the 0° position for open areas (no end wall) and the 7.5° position when in closed spaces close to walls. This angle adjustment has the purpose of improving the acoustic perception in the place of use of the powered speaker, because when we have a wall at the end of the room and we leave the support in the 0° position, the sound reaches the wall and is reflected, which degrades the acoustic quality.



Using the vertical support at 7.5°

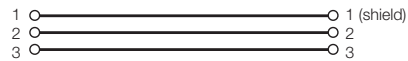


To use the vertical support with an inclination of 7.5°, press the two buttons below the equipment and adjust to the desired position, tilting the speaker, then release the buttons.

CABLES AND CONNECTORS

XLR/F for XLR/M microphone cable	The standard cable for interconnecting microphone and line level signal in professional audio systems. Microphone for the soundboard.
1/4-inch P10 (balanced) input for XLR/M	For connecting balanced 1/4-inch P10 devices and can be used interchangeably.
1/4-inch P10 (unbalanced) input for XLR/M	For connecting instruments with unbalanced outputs to balanced XLR inputs.
1/4-inch P10 TS (unbalanced) connector for XLR/M	This cable is electrically identical to 1/4-inch "P10" (unbalanced) and can be used interchangeably.
XLR/M cable for RCA (phono)	Connects audio products and some DJ mixer outputs to professional audio equipment inputs.
1/4-inch P10 inlet for 1/4-inch P10 double inlet	Splits a stereo output into separate left/right signals.
TS (unbalanced) P2 for RCA cable (Phono)	P2 connector to connect the output of a laptop, mobile phone, MP3 player, computer to a soundboard.
XLR/F for audio with XLR/M ground switch	Only with balanced inputs and outputs

XLR/F for XLR/M microphone cable



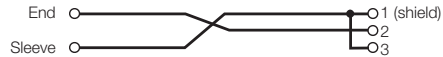
P10 (unbalanced) 1/4" for XLR/M cable



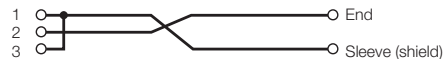
P10 (unbalanced) 1/4" for XLR/M cable



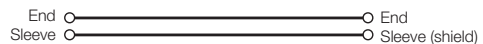
P10 TS (unbalanced) 1/4" for XLR/M cable



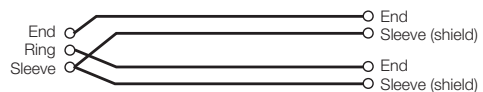
XLR/M for RCA cable (Phono)



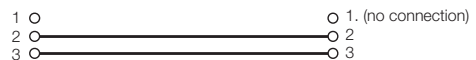
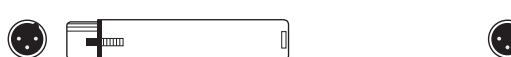
P2 TS (unbalanced) for RCA cable (Phono)



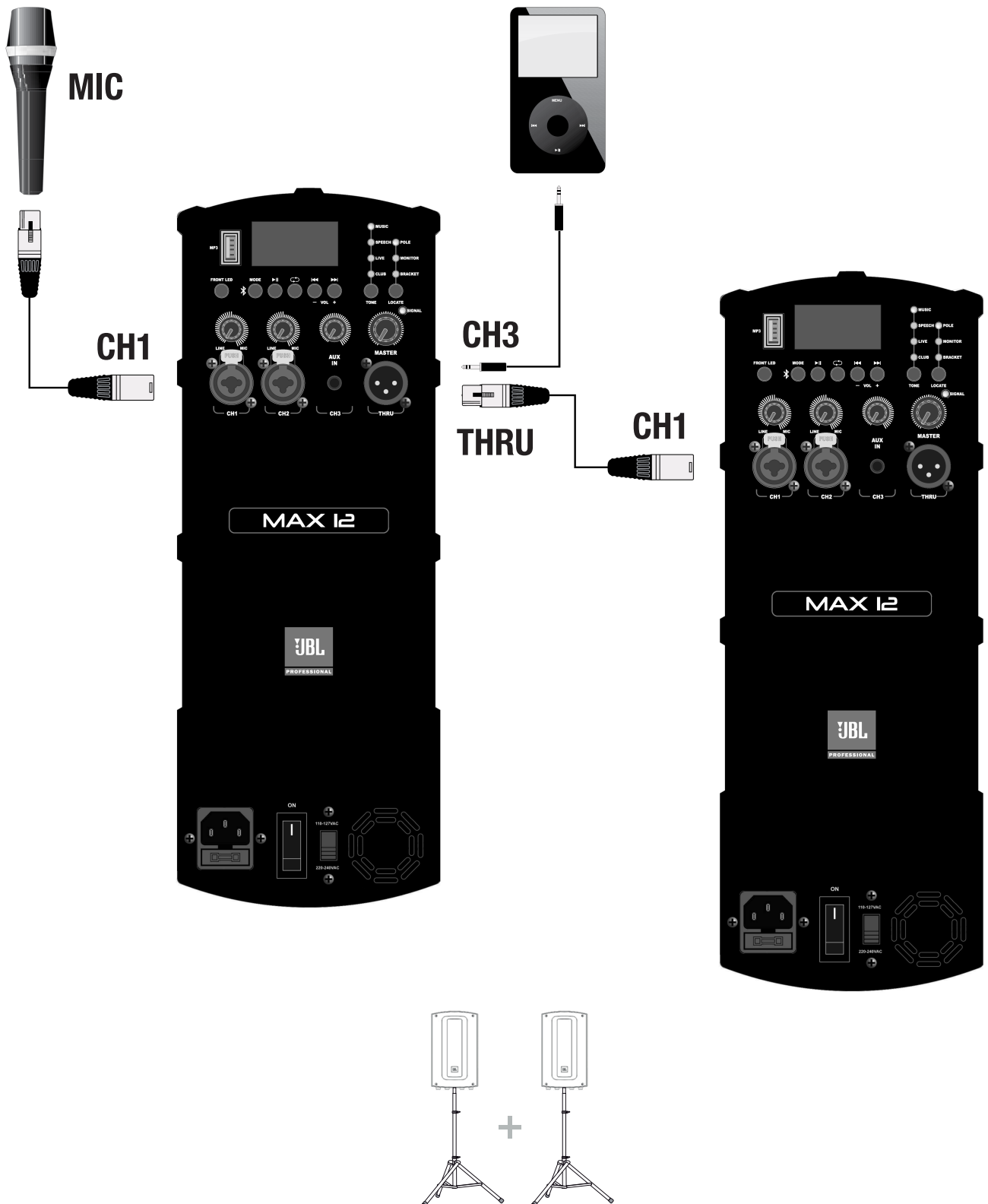
P10 1/4" for TS P10 1/4" dual cable



XLR/F for audio adapter with XLR/M ground switch



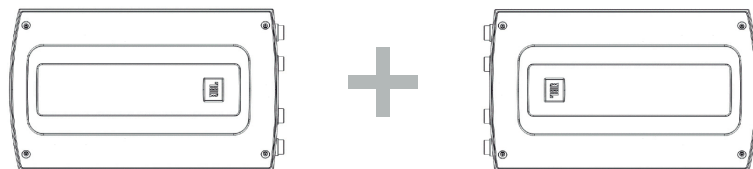
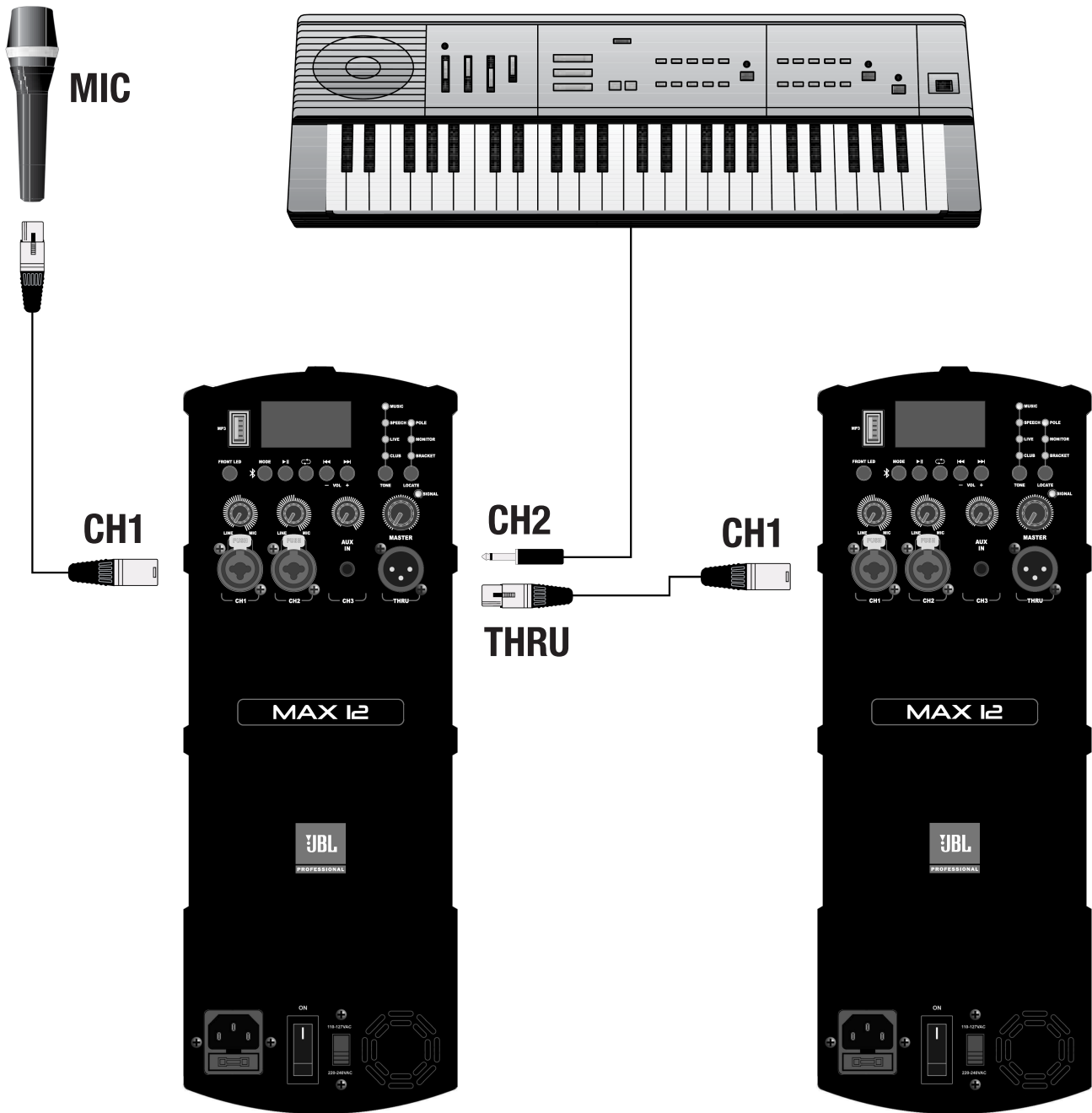
APPLICATION EXAMPLES



PA SYSTEM USING 2 AUDIO INPUTS AND THRU OUTPUT

CH1 input set to "Mic", CH3 input to external auxiliary device.

APPLICATION EXAMPLES



PA SYSTEM USING 2 POWERED SPEAKERS AS MONITORS

CH1 input set to "Mic" CH2 input set to "Line"

TROUBLESHOOTING

Symptom	Probable cause	What to do
It does not emit sound.	Powered speaker not connected to AC mains	Make sure the powered speaker is plugged in and the product is turned on.
	Power off	Turn on the power and check if the graphic display is lit.
	The powered speaker is in sleep mode	Apply an audio signal to any input to activate the equipment.
No sound, the powered speaker is connected to the mains, but it does not work.	The powered speaker's power cord is defective or not connected properly.	<ul style="list-style-type: none"> • Reattach the power cord at both ends. • Replace with a good quality power cord.
It does not emit sound. The powered speaker turns on.	The signal source (turntable, instrument, etc.) is not sending.	<ul style="list-style-type: none"> • Check the VU meters on the source mixer. • Check if the external device is playing. • Use headphones to verify that the instrument is actually sending an audio signal.
	Defective cables and connections	<ul style="list-style-type: none"> • Disconnect and reconnect signal cables. • Replace the cable that appears to be defective with a good quality cable.
It does not emit sound with a microphone connected directly to the MIC/LINE input.	Microphone requires Phantom power (48V)	MAX does not provide Phantom power (48V). Replace to a dynamic microphone, use a battery powered microphone (if possible), use an external Phantom power supply (48V) for condenser-type microphones.
Distorted and very loud signal sounds.	Excessive input signal, exceeding speaker capacities	<ul style="list-style-type: none"> • Reduce the source output level. • Reduce the level controls into the speaker. • Use additional MAX speakers.
Distorted signal sounds even at moderate volumes, LIMIT light is not lit.	The mixer table or other source is overloaded	<p>Review your mixer Owner's Manual and adjust the controls as needed.</p> <ul style="list-style-type: none"> • Input sensitivity (gain). • Channel faders. • Main faders, once you are done, review the instructions in the Quick Start section of this guide.
Too much hiss in the sound, the mixer controls are at very low settings.	Inappropriate gain structure	<ul style="list-style-type: none"> • Make sure the MIC/LINE switch is in the proper position. • The operation of the Mic/Line switch will be slightly different. • Reduce the level settings on the speaker. Review your mixer Owner's Manual and adjust the controls as needed. • Input sensitivity (gain). • Channel faders. • Master faders.
Noise or hiss at the exit.	Noisy source device	Disconnect the devices that are connected to the powered speaker one at a time. If the noise disappears, the problem is with the source or the connecting cable.
Buzz that increases or decreases when you move the mixer level controls.	Inadequate AC power or defective equipment connected to mixer input	Turn off or mute channels one at a time to isolate the problem. Consult the Owner's Manual of the defective equipment for troubleshooting assistance.
	Faulty cable between source equipment and mixer	Replace the cable that appears to be defective with a good quality cable.
Buzz	Improper ground circuits, AC power	<ul style="list-style-type: none"> • Disconnect the audio jack ground with an XLR/F to XLR/M adapter at one end. • Route audio cables away from AC power and lighting cables.
	Excessively long and unbalanced cable run	<ul style="list-style-type: none"> • Use balanced outputs (if available) from the mixer or source equipment to drive the MAX speaker. • Use a DI converter to convert your equipment's unbalanced output into a balanced output.
	Inadequate system gain structure	Lower input level controls and increase the output level of source devices.

INSTRUCCIONES DE SEGURIDAD



La línea de productos JBL MAX cubierta por este manual no está diseñada para su uso en entornos de alta humedad. Los niveles altos de humedad pueden dañar partes de los transductores, además de hacer que las partes metálicas y los contactos eléctricos en los circuitos se oxiden. Evite exponer las cajas acústicas a la humedad directa y no los utilice en entornos donde las superficies se están condensando.

Mantenga las cajas acústicas alejadas de la luz solar directa, prolongada o intensa. Las partes internas del producto pueden dañarse debido a las altas temperaturas generadas por la luz solar, y las superficies del producto pueden degradarse por la exposición prolongada a la luz ultravioleta (UV) intensa.

Los productos de la línea JBL MAX pueden generar niveles considerables de presión sonora. Cuando se coloca sobre una superficie resbaladiza, la caja acústica puede moverse debido a su funcionamiento a un volumen alto. Se deben tomar precauciones para asegurarse de que la caja acústica no se caiga de la superficie en la que está colocado.

DAÑO AUDITIVO, EXPOSICIÓN PROLONGADA A NIVELES EXCESIVOS DE PRESIÓN SONORA

Los productos de la línea JBL MAX son capaces de generar niveles de presión sonora (dB SPL) suficientes para causar daños auditivos permanentes en los músicos, en el personal de producción y en el público. Se deben tomar precauciones para evitar una exposición prolongada a niveles de presión sonora superiores a 85 dB SPL.

MANTENIMIENTO Y LIMPIEZA

ESTOS ELECTRODOMÉSTICOS CONTIENEN VOLTAJES POTENCIALMENTE LETALES. PARA EVITAR EL PELIGRO DE DESCARGA ELÉCTRICA, NO RETIRE EL CHASIS, EL MÓDULO AMPLIFICADOR O LAS TAPAS DE ENTRADAS DE AC. NO HAY PIEZAS QUE EL USUARIO PUEDA REPARAR DENTRO DEL PRODUCTO. LOS PROCEDIMIENTOS DE ASISTENCIA TÉCNICA DEBEN SER CARGADOS POR PERSONAL DEBIDAMENTE CUALIFICADO POR EL FABRICANTE.

Las cajas acústicas se pueden limpiar con un paño seco. No permita que entre humedad a través de las aberturas del sistema. Asegúrese de que el sistema esté desenchufado de la toma de AC antes de limpiarlo.

CONFORMIDAD RoHS

Este producto cumple con la Directiva 2011/65/UE y (UE) 2015/863 del Parlamento Europeo y del Consejo de 19. 31/03/2015 sobre la restricción del uso de determinadas sustancias peligrosas en equipos eléctricos y electrónicos.

DECLARACIÓN DE LA FCC

1. Este dispositivo cumple con la Parte 15 de las Reglas de la FCC. El funcionamiento está sujeto a las dos condiciones siguientes:

(1) Este dispositivo no puede causar interferencias perjudiciales.

(2) Este dispositivo debe aceptar cualquier interferencia recibida, incluidas las interferencias que puedan causar un funcionamiento no deseado.

2. Los cambios o modificaciones no aprobados expresamente por la parte responsable del cumplimiento podrían anular la autoridad del usuario para operar el equipo.

NOTA: Este equipo ha sido probado y cumple con los límites para un dispositivo digital de Clase B, de acuerdo con la Parte 15 de las Reglas de la FCC. Estos límites están diseñados para proporcionar una protección razonable contra interferencias perjudiciales en una instalación residencial. Este equipo genera, utiliza y puede irradiar energía de radiofrecuencia y, si no se instala y utiliza de acuerdo con las instrucciones, puede causar interferencias perjudiciales en las comunicaciones por radio. Sin embargo, no hay garantía de que no se produzcan interferencias en una instalación en particular. Si este equipo causa interferencia dañina en la recepción de radio o televisión, lo cual se puede determinar encendiendo y apagando el equipo, se recomienda al usuario que intente corregir la interferencia mediante una o más de las siguientes medidas:

- Reorientar o reubicar la antena receptora.
- Aumente la separación entre el equipo y el receptor.
- Conecte el equipo a una toma de corriente en un circuito diferente al que está conectado el receptor.
- Consulte con el distribuidor o con un técnico de radio / TV experimentado para obtener ayuda.

Declaración de exposición a la radiación de la FCC

Este equipo cumple con los límites de exposición a la radiación de la FCC establecidos para un entorno no controlado. Este equipo debe instalarse y utilizarse con una distancia mínima de 20 cm entre el radiador y su cuerpo.

Los modelos MAX 10, MAX 12 y MAX 15 están equipados con el módulo Bluetooth MAXBT - Bluetooth 5.0 BLE (GFSK/1 MBps), BTH EDR (GFSK/8DPSK).



09926-21-10879

Este equipo no tiene derecho a protección contra interferencias perjudiciales y no puede causar interferencias en sistemas debidamente autorizados.

INSTRUCCIONES DE SEGURIDAD

1. LEA estas instrucciones.
2. GUARDA estas instrucciones.
3. ESTÉ ATENTO a todas las advertencias.
4. SIGA todas las instrucciones.
5. NO utilice este equipo cerca del agua.
6. LIMPIE SÓLO con un paño seco.
7. NO bloquee las aberturas de ventilación en el panel del módulo amplificador. No instale la caja acústica cerca de calentadores, hornos, radiadores o cualquier otra fuente de calor. Instale la caja acústica de modo que el panel trasero quede al menos a 50 cm de cualquier obstáculo. Instale el producto en un lugar ventilado para evitar el sobrecalentamiento y acortar su vida.
8. NO modifique el conector eléctrico de AC en el cable provisto con el producto o en el panel del amplificador. Un conector eléctrico tiene dos pines de alimentación y un tercer pin de tierra, diseñado para su seguridad. Si el conector eléctrico proporcionado no encaja en el enchufe, consulte a un electricista para que se adapte al lugar donde se instalará el producto.
9. NO anule el propósito de seguridad del conector eléctrico. Un conector eléctrico tiene dos pines de alimentación y un tercer pin de tierra, que se proporciona para su seguridad. Si el conector eléctrico provisto no encaja en el enchufe, consulte a un electricista para reemplazar el enchufe obsoleto.
10. PROTEJA el cable de alimentación para evitar que se aplaste o pellizque, especialmente en los conectores, enchufes de uso general y en el punto de salida del aparato.
11. SÓLO UTILICE conexiones/accesorios especificados por el fabricante.
12. SÓLO UTILICE con un rack con ruedas, estante trípode, soporte o mesa, recomendados por el fabricante o vendidos con el producto. Cuando utilice un rack con ruedas, tenga cuidado al mover la combinación de carro/electrodoméstico para evitar lesiones por caídas.
13. DESCONECTE el equipo del enchufe de pared durante condiciones climáticas como tormentas eléctricas o cuando no se utilice durante períodos prolongados.
14. CONFÍE en el mantenimiento y las reparaciones únicamente a personal debidamente calificado de los centros de servicio autorizados. El producto debe recibir servicio o reparación cuando el electrodoméstico se dañe de alguna manera, como cuando el cable de alimentación o el conector están dañados, cuando se derraman líquidos o caen objetos dentro del electrodoméstico, cuando el electrodoméstico ha estado expuesto a la lluvia o la humedad, no funciona correctamente o se ha caído.
15. NO esponga el aparato a goteos o salpicaduras, y asegúrese de que no haya objetos llenos de líquido, como jarras, sobre el aparato.
16. Para desconectar completamente este aparato de la red de AC, desconecte el conector del cable de alimentación de la toma de AC.
17. Cuando la toma de corriente se utiliza como único medio de desconexión, la toma de corriente debe permanecer accesible en todo momento.
18. NO sobrecargue los enchufes de pared o los cables de extensión más allá de su capacidad nominal, ya que esto podría provocar una descarga eléctrica o un incendio.
19. Para una ventilación adecuada, no instale este equipo en un espacio cerrado o confinado, como una estantería o unidad similar.
20. La ventilación del producto no debe impedirse cubriendo las aberturas de ventilación con elementos como periódicos, manteles, cortinas, etc.



El rayo de flecha dentro de un triángulo equilátero está destinado a alertar al usuario del riesgo de descarga eléctrica.



El signo de exclamación dentro de un triángulo equilátero pretende alertar al usuario de la presencia de importantes instrucciones de uso y mantenimiento (reparaciones) en la documentación que acompaña al producto.

ADVERTENCIA: para reducir el riesgo de incendio o choque eléctrico, no esponga la caja acústica a la lluvia o humedad.

ADVERTENCIA: no coloque ninguna fuente de fuego cerca del producto, por ejemplo, velas encendidas.

ADVERTENCIA: el equipo debe estar conectado a una toma de corriente con conexión a tierra de protección.

ADVERTENCIA: este producto está diseñado para ser utilizado ÚNICAMENTE con los voltajes enumerados en el panel posterior (110-127V o 220-240V). La operación a voltajes distintos a los indicados puede causar daños irreversibles al producto y anular su garantía (por ejemplo, producto configurado para 110-127V y conectado a un tomacorriente de 220V). Se recomienda precaución al usar adaptadores de enchufe de AC, ya que esto puede permitir que el producto se conecte a voltajes para los que no está diseñado para funcionar. Si tiene dudas sobre el voltaje de funcionamiento correcto, comuníquese con su distribuidor local y/o distribuidor.

Con respecto al cable de alimentación, utilice solo el tipo proporcionado o especificado por el fabricante o su distribuidor local.

RANGO DE TEMPERATURA DE FUNCIONAMIENTO:
0°C a 40°C (32°F a 104°F)



ADVERTENCIA: ¡No abrir! Riesgo de choque eléctrico. Los voltajes de este equipo son dañinos para la vida. No hay partes reparables por el usuario adentro. Confíe el mantenimiento y las reparaciones a personal debidamente cualificado.

Coloque el equipo cerca de una toma de corriente y asegúrese de poder acceder fácilmente al interruptor disyuntor.



Terminal de tierra de protección. El aparato debe estar conectado a una toma de corriente con conexión a tierra de protección.

Prevención de pérdida auditiva



Cuidado: puede producirse pérdida de audición si los auriculares o audífonos se utilizan a un volumen alto durante largos períodos de tiempo.

Nota: para evitar posibles daños auditivos, no escuche a un volumen alto durante períodos prolongados.

Atención: de acuerdo con la ley brasileña nº. 11.291, la exposición prolongada a ruidos superiores a 85dB puede causar daños al sistema auditivo.

GUÍA DE INICIO RÁPIDO

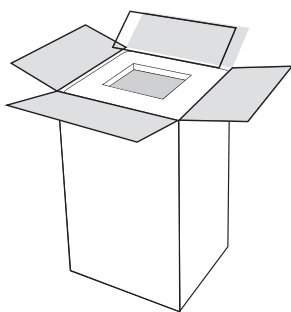
¡Felicitaciones por su compra de la caja acústica JBL Professional MAX SERIES! Sabemos que está deseando encenderlo lo antes posible y es por eso que está leyendo esta sección. La siguiente información le ayudará a prepararse lo más rápido posible.

Contenido de la caja de cartón

Su sistema MAX debe incluir lo siguiente:

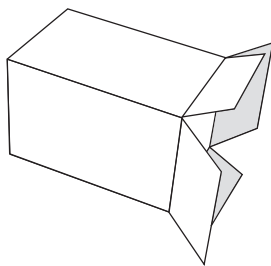
- 1 x caja acústica MAX
- 1 x cable de alimentación de AC de 1,8 m
- 1 x folleto y manual técnico
- 1 x certificado de garantía

Sácalo de la caja de cartón



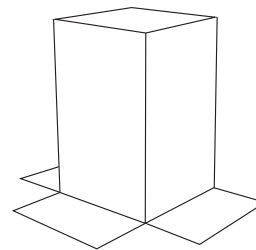
1

Abra la tapa superior de la caja de cartón.



2

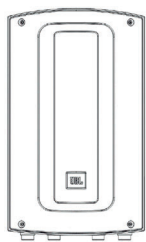
Incline la caja de cartón de costado, dándole la vuelta hacia abajo.



3

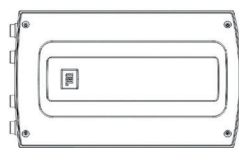
Levante la caja de cartón, revelando la caja acústica MAX.

Opciones de montaje



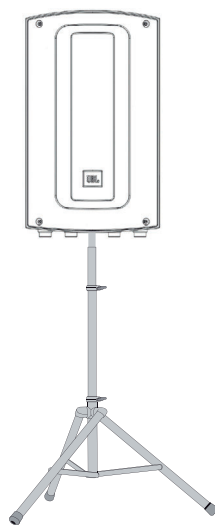
1

Posición básica



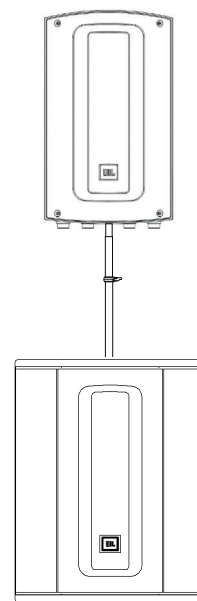
2

Posición del monitor



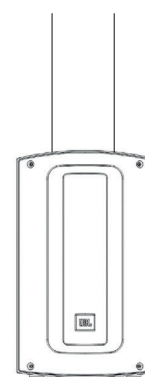
3

Montura trípode



4

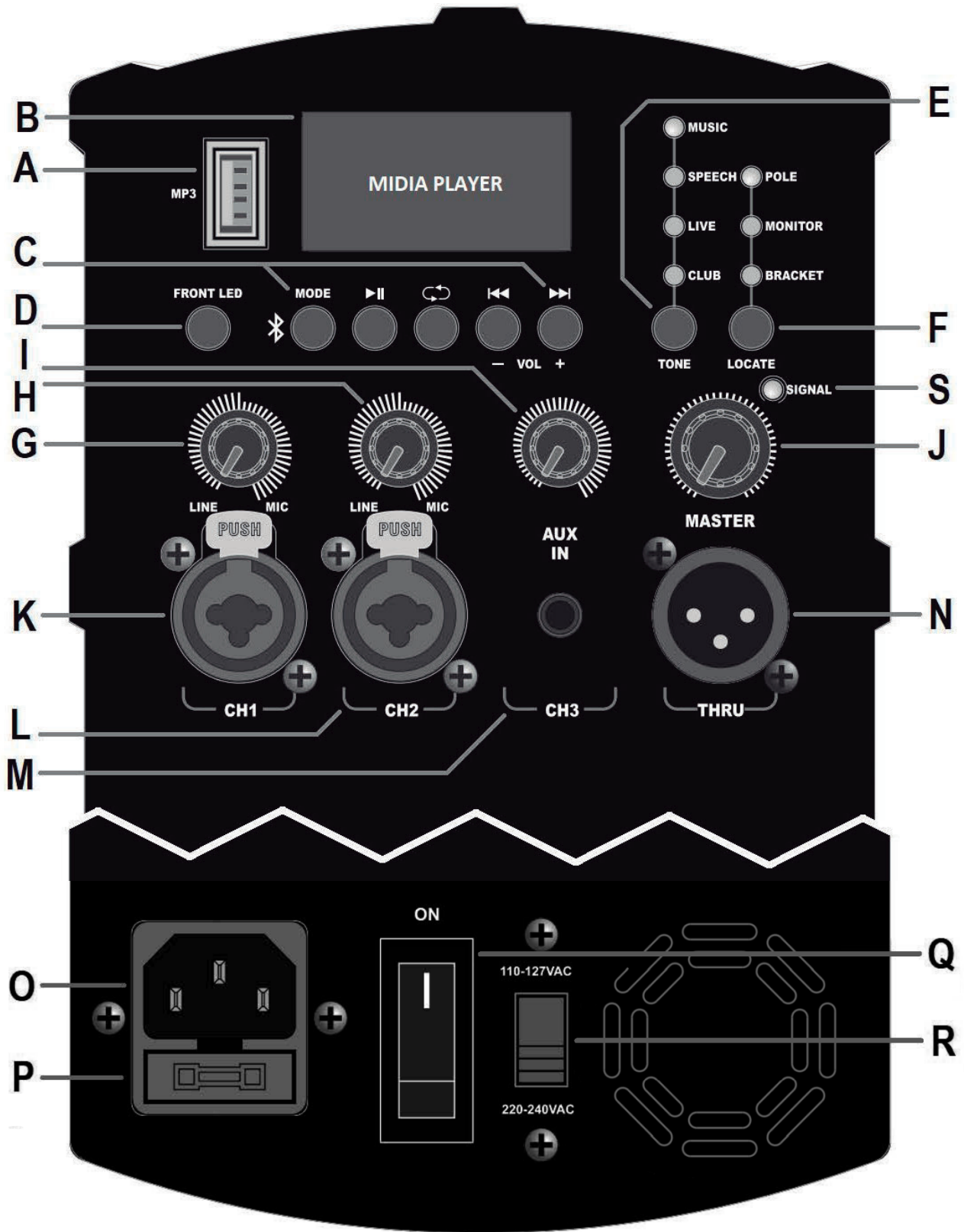
Montaje de subwoofer



5

Suspendido

DETALLES DEL PANEL TRASERO



DETALLES DEL PANEL TRASERO

A. Puerto USB

Úselo para reproducir música en formatos MP3 y WAV a través de un pendrive USB 2.0 o 3.0 (5V/100mA) con una capacidad de hasta 64GB (formateado en FAT32 o exFAT). No utilice ningún tipo de disco duro externo, adaptadores o dispositivo móvil, como teléfonos inteligentes y tabletas, bajo riesgo de daños en los circuitos internos. Este puerto USB no admite la carga de energía para dispositivos externos.

B. Pantalla LCD

Muestra información sobre reproductor multimedia.

C. Controles del reproductor multimedia

Botones de control de reproductor multimedia. MODE (alterna entre los modos USB y BT), PLAY/PAUSE, REPEAT, PREVIOUS (-VOL en espera) y NEXT (+VOL en espera).

D. Botón LED frontal

Úselo para encender/apagar la luz delantera.

E. Botón de selección TONE

Utilice este botón para cambiar entre las cinco configuraciones diferentes. Estos son: MUSIC, SPEECH, LIVE, CLUB y FLAT (todas las luces apagadas).

F. Botón de selección LOCATE

Utilice este botón para alternar entre tres configuraciones diferentes, a saber: POLE, MONITOR y BRACKET.

G,H,I. Control de volumen CH1, CH2 y CH3

Controlan la ganancia de CH1, CH2 y CH3 respectivamente. Si gira la perilla hacia la izquierda, se reduce la ganancia y si gira la perilla hacia la derecha aumenta la ganancia.

J. Control de volumen principal MASTER

Controla el volumen principal de la unidad. Si gira la perilla hacia la izquierda, disminuye el volumen general de la caja acústica. Girar el control hacia la derecha aumenta el volumen general de la caja acústica.

K,L. Entradas combinadas XLR/P10

Estas entradas balanceadas aceptan un conector XLR (macho) estándar o un conector P10 de 1/4" (TRS o TS). Puede conectar varios tipos de instrumentos musicales, micrófonos, mesa de sonido y mezcladores de DJ. La sensibilidad de estas entradas se ajusta automáticamente mediante los controles de volumen MIC/LINE.

M. Entrada AUX

Esta entrada auxiliar acepta un conector P2 estéreo (3,5 mm). Puede conectar una amplia gama de dispositivos como tabletas, teléfonos inteligentes y computadoras portátiles.

N. Salida THRU

Este conector de salida XLR (macho) proporciona un medio para enviar una señal de audio a un dispositivo externo. Las señales de los canales CH1, CH2, CH3 y el reproductor multimedia se suman y envían al conector THRU, y el control de volumen de cada canal se refleja en la salida.

O. Toma eléctrica

Conecte el cable de alimentación de AC suministrado con el producto a la toma de corriente en la parte posterior de la caja acústica. Enchufe el otro extremo del cable de alimentación en una toma de corriente disponible.

P. Portafusibles

Compartimento de fusibles de protección del producto. Utilice un fusible como se muestra en las especificaciones técnicas de este manual. El reemplazo solo debe ser realizado por un técnico calificado.

Q. Llave de encendido y apagado

Utilice esta llave para encender y apagar el equipo. Antes de realizar la conexión, compruebe que el equipo esté conectado a la tensión de alimentación correcta, de acuerdo con la instalación eléctrica local.

R. Llave selectora de potencia

Llave selectora de tensión de alimentación, para regular esta llave, realizar siempre este cambio con el equipo apagado y con la toma de corriente retirada.

S. Indicador SIGNAL

Luz indicadora de presencia de señal de audio (verde) si hay señal en alguna de las entradas K, L, M o proveniente del reproductor multimedia. Este indicador alternará el color (naranja) si el nivel de la señal alcanza el máximo requerido para proporcionar la máxima salida de sonido.

Observación:

Solo los modelos JBL MAX 12 y JBL MAX 15 tienen una abertura de ventilación en la parte inferior del panel posterior.

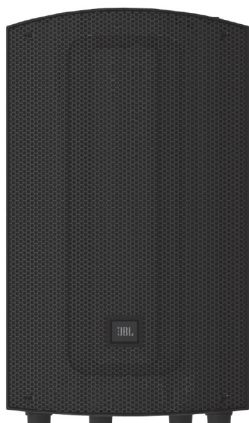
DESCRIPCIÓN GENERAL - FAMILIA MAX SERIES



MAX 10

Caja acústica portátil de 10" con Bluetooth

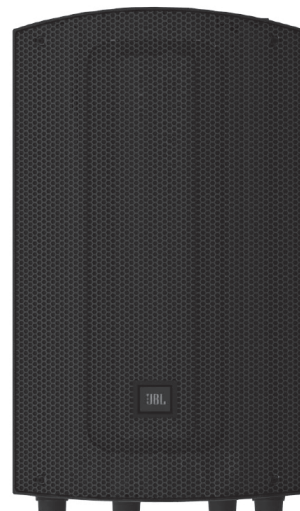
- 250 WRMS
- 11,3 Kg (24,9 lb)
- 60 Hz - 18 kHz



MAX 12

Caja acústica portátil de 12" con Bluetooth

- 350 WRMS
- 15,9 Kg (35 lb)
- 55 Hz - 19 kHz



MAX 15

Caja acústica portátil de 15" con Bluetooth

- 350 WRMS
- 19 Kg (41,9 lb)
- 49 Hz - 19 kHz

¡Gracias por comprar JBL MAX SERIES!

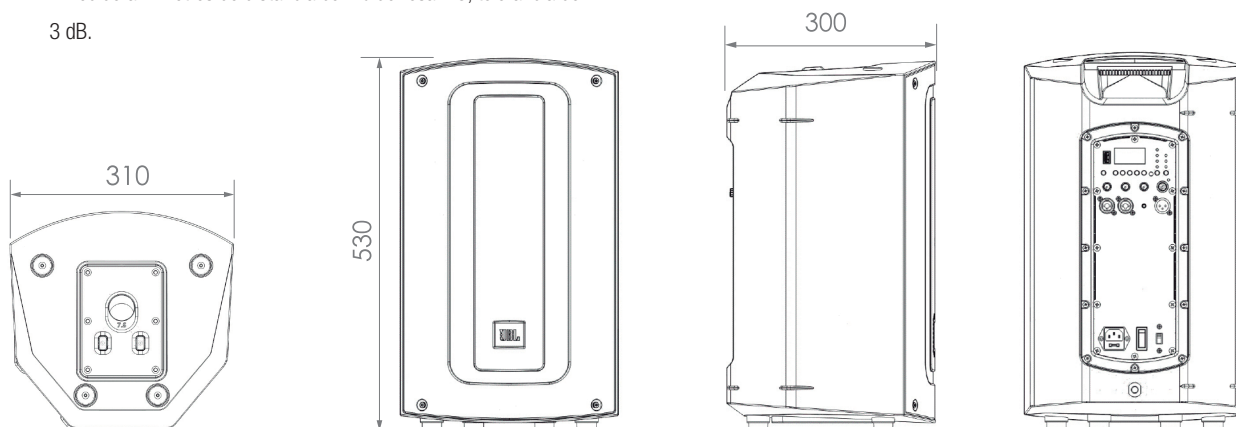
El mercado de cajas acústicas amplificadas profesionales es un espacio altamente competitivo donde la calidad del sonido y el volumen aún pueden representar un desafío para los consumidores que buscan cajas acústicas de calidad profesional. Hay muchos competidores en las estanterías de las tiendas o en las listas de búsqueda de Internet, que tienen en cuenta solo la parte visual del producto, olvidándose que una caja acústica debe tener, ante todo, un sonido alto y claro.

La serie JBL MAX está diseñada para proporcionar a los consumidores conscientes de su presupuesto sin sacrificar la alta calidad, las características profesionales y el uso intuitivo.

ESPECIFICACIONES DE MAX 10

TIPO DE SISTEMA:	Amplificado, 2 vías, 10" con DSP
ESTRUCTURA:	Polipropileno moldeado
SPL MÁXIMO:	127 dB SPL Máximo*
RESPUESTA EN FRECUENCIA (+3 dB):	70 Hz - 16,5 kHz
RESPUESTA EN FRECUENCIA (+10 dB): ESTÁNDAR	60 Hz - 18 kHz
DE COBERTURA:	110° (horizontal) x 60° (vertical) nominal
POTENCIA NOMINAL DE SALIDA:	200 WRMS (Clase D, LF) + 50 WRMS (Clase AB, HF)
DIÁMETRO DEL WOOFER:	10,0"
DIÁMETRO DEL DRIVER:	1,0"
CONEXIONES DE ENTRADA:	2 x Combinación (XLR/P10), 1 x P2, 1 x USB
IMPEDANCIA DE ENTRADA:	100 kΩ
SALIDA DE SEÑAL (THRU):	1 x XLR
BLUETOOTH:	Transmisión de recepción de audio, Bluetooth versión 5.0
DSP:	Funciones de tono y localización Compresores y limitadores independientes predefinidos
FUENTE DE ENERGIA AC:	110-127V o 220-240V (seleccionable manualmente)
POTENCIA MÁXIMA CONSUMIDA:	250 WRMS
FUSIBLE:	T5.0AL/250V
MONTAJE:	Encaje de varilla de 35 mm
PUNTOS DE ELEVACIÓN:	3 puntos con rosca estándar M10
PESO NETO:	11,3 kg (24,9 lb)
DIMENSIONES (Al x An x P);	531 x 310 x 300 mm (20,91 x 12,21 x 11,81 pul.)
PESO BRUTO:	13,80 kg (30,4 lb)
DIMENSIONES DELA CAJA DE CARTÓN(Al x An x P):	595 x 385 x 395 mm (23,42 x 15,15 x 15,55 pul.)

* Medido a 2 metros de distancia con ruido rosa IEC, tolerancia de \pm 3 dB.



Vista inferior

Vista frontal

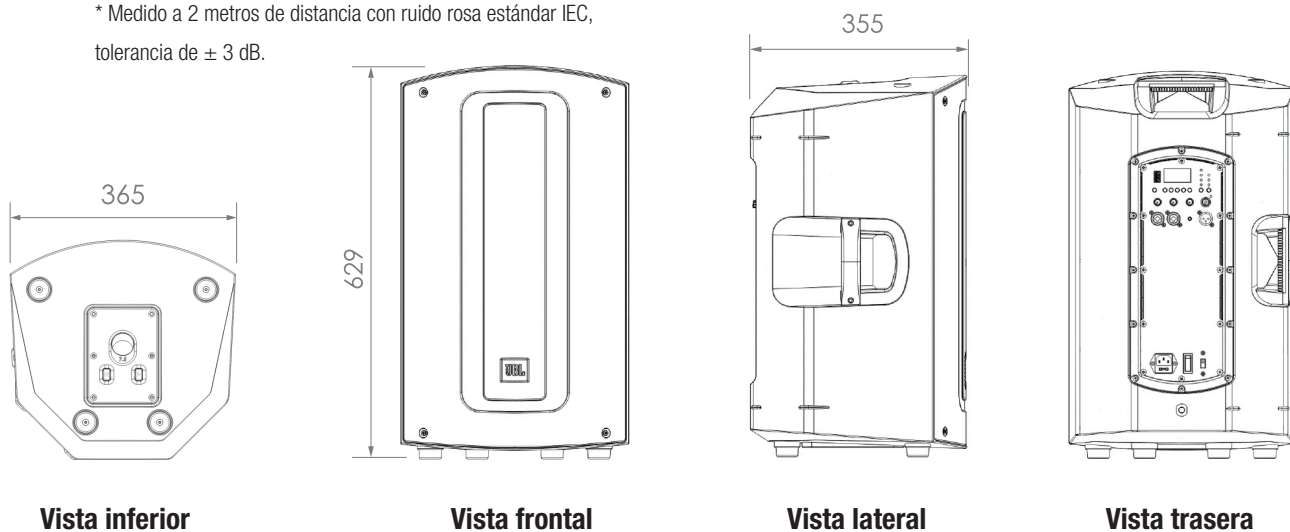
Vista lateral

Vista trasera

ESPECIFICACIONES DE MAX 12

TIPO DE SISTEMA:	Amplificado, 2 vías, 12" con DSP
ESTRUCTURA:	Polipropileno moldeado
SPL MÁXIMO:	128 dB SPL Máximo*
RESPUESTA EN FRECUENCIA (+3 dB): RESPUESTA EN FRECUENCIA (+10 dB): ESTÁNDAR DE COBERTURA:	65 Hz - 16,5 kHz 55 Hz - 19 kHz 100° (horizontal) x 60° (vertical) nominal
POTENCIA NOMINAL DE SALIDA:	300 WRMS (Clase D, LF) + 50 WRMS (Clase AB, HF)
DIÁMETRO DEL WOOFER:	12,0"
DIÁMETRO DEL DRIVER:	1,35"
CONEXIONES DE ENTRADA:	2 x Combinación (XLR/P10), 1 x P2, 1 x USB
IMPEDANCIA DE ENTRADA:	100 kΩ
SALIDA DE SEÑAL (THRU):	1 x XLR
BLUETOOTH:	Transmisión de recepción de audio, Bluetooth versión 5.0
DSP:	Funciones de tono y localización Compresores y limitadores independientes predefinidos
FUENTE DE ENERGIA AC:	110-127V o 220-240V, seleccionable
POTENCIA MÁXIMA CONSUMIDA:	400 WRMS
FUSIBLE:	T6.3AL/250V
MONTAJE:	Encaje de varilla de 35 mm
PUNTOS DE ELEVACIÓN:	3 puntos con rosca estándar M10
PESO NETO:	15,9 kg (35 lb)
DIMENSIONES (Al x An x P):	629 x 365 x 355 mm (24,76 x 14,37 x 13,98 pul.)
PESO BRUTO:	18,55 kg (40,9 lb)
DIMENSIONES DELA CAJA DE CARTÓN(Al x An x P):	690 x 445 x 445 mm (27,16 x 17,52 x 17,52 pul.)

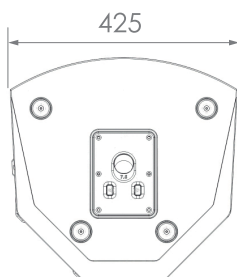
* Medido a 2 metros de distancia con ruido rosa estándar IEC, tolerancia de ± 3 dB.



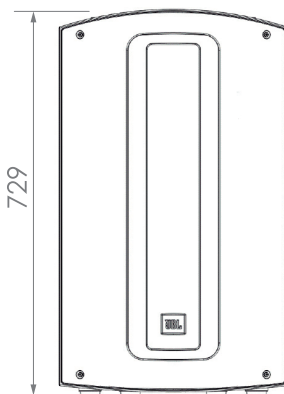
ESPECIFICACIONES DE MAX 15

TIPO DE SISTEMA:	Amplificado, 2 vías, 15" con DSP
ESTRUCTURA:	Polipropileno moldeado
SPL MÁXIMO:	129 dB SPL Máximo*
RESPUESTA EN FRECUENCIA (+3 dB): RESPUESTA EN FRECUENCIA (+10 dB): ESTÁNDAR DE COBERTURA:	59 Hz - 16,5 kHz
POTENCIA NOMINAL DE SALIDA:	49 Hz - 19 kHz
DIÁMETRO DEL WOOFER:	100° (horizontal) x 60° (vertical) nominal
DIÁMETRO DEL DRIVER:	300 WRMS (Clase D, LF) + 50 WRMS (Clase AB, HF)
CONEXIONES DE ENTRADA:	15,0"
IMPEDANCIA DE ENTRADA:	1,35"
SALIDA DE SEÑAL (THRU):	2 x Combinación (XLR/P10), 1 x P2, 1 x USB
BLUETOOTH:	100 kΩ
DSP:	1 x XLR
	Transmisión de recepción de audio, Bluetooth versión 5.0
	Funciones de tono y localización
	Compresores y limitadores independientes predefinidos
FUENTE DE ENERGIA AC:	110-127V o 220-240V, seleccionable
POTÊNCIA MÁXIMA CONSUMIDA:	400 WRMS
FUSIBLE:	T6.3AL/250V
MONTAJE:	Encaje de varilla de 35 mm, o elevación (3 puntos)
PUNTOS DE ELEVACIÓN:	3 puntos con rosca estándar M10
PESO NETO:	19 kg (41,9 lb)
DIMENSIONES (Al x An x P):	729 x 425 x 415 mm (28,71 x 16,73 x 16,34 pul.)
PESO BRUTO:	22,85 kg (50,37 lb)
DIMENSIONES DELA CAJA DE CARTÓN(Al x An x P):	795 x 495 x 515 mm (31,30 x 19,49 x 20,27 pul.)

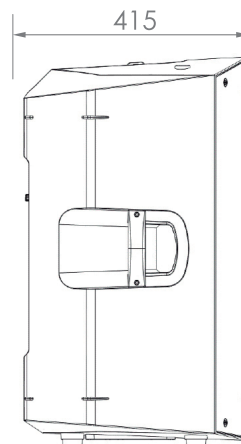
* Medido a 2 metros de distancia con ruido rosa estándar IEC, tolerancia de ± 3 dB.



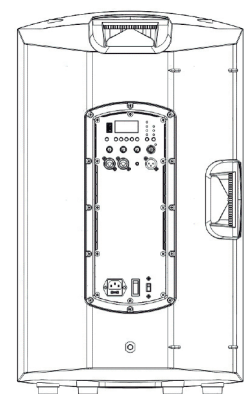
Vista inferior



Vista frontal



Vista lateral



Vista trasera

APLICACIONES Y CARACTERÍSTICAS

MÚSICOS/ARTISTAS

Músicos y artistas que buscan una caja acústica robusta, fácil de usar y con un gran sonido en un diseño portátil y asequible.

PRESENTADORES/INSTRUCTORES

Instructores de fitness y presentadores que buscan una solución de PA compacta y fácil de usar con audio Bluetooth y reproducción de MP3 incorporada.

INSTALACIONES FIJAS

Instalaciones en iglesias, teatros o espacios que requieran una calidad de sonido profesional con facilidad de uso y un tiempo de instalación mínimo.

FUNCIONALIDADES

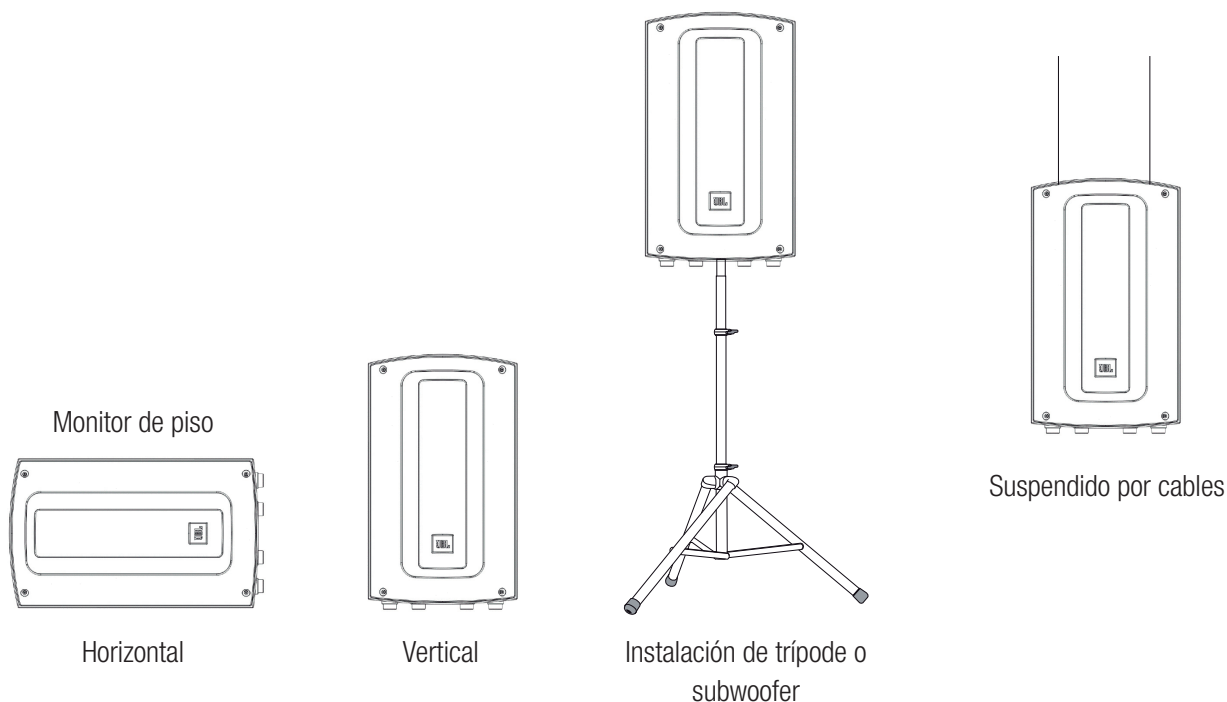
- Amplificador de clase D de alta eficiencia para el woofer y clase AB para el driver.
- Tres versiones de 2 vías disponibles: MAX10 (10"), MAX12 (12") y MAX15 (15").
- Transmisión de audio ultrarrápida a través de Bluetooth 5.0.
- Reproductor MP3 se hace a través del pen drive con cambio de carpeta.
- Pantalla de alta calidad.
- Tone son cinco preajustes electrónicos de tonos.
- Locate son tres preajustes electrónicos para el posicionamiento.
- 2 combinaciones de entrada combo XLR/TRS aceptan micrófono o línea.
- Salida de señal XLR para expansión del sistema.
- Diseño ligero, portátil y duradero.
- Cabina de polipropileno con pantalla ultrarresistente.
- Toma integrada con dos ángulos para montaje en varilla o pedestal.
- Manijas ergonómicas para facilitar su transporte.

CONECTIVIDAD BLUETOOTH

Cómo conectar un dispositivo Bluetooth a una caja acústica MAX:

- Presione el botón MODE hasta que se muestre el modo de recepción de transmisión de audio en la pantalla gráfica del producto. El producto iniciará el modo de emparejamiento automáticamente.
- Navegue a la configuración de Bluetooth de su teléfono inteligente o tableta.
- Seleccione la caja acústica MAX que desea emparejar. El nombre de la caja acústica será JBL MAX "XX", donde "XX" es el número según el tamaño del altavoz, 10, 12 o 15 pulgadas.
- Cuando la conexión sea exitosa, el nombre de su teléfono inteligente o tableta aparecerá en la pantalla del reproductor de multimedia.

COLOCACIÓN Y INSTALACIÓN



Las siguientes pautas lo ayudarán a obtener un sonido excelente donde sea que use sus cajas acústicas MAX SERIES:

Ubique las cajas acústicas correctamente.

Para obtener los mejores resultados, cuando utilice las cajas acústicas en un pedestal o trípode, coloque la parte superior de la línea MAX entre 0,6 y 1,2 metros por encima de la línea de escucha (cabeza de la audiencia) para evitar obstáculos al sonido, mejorando así considerablemente la percepción auditiva tanto cerca como lejos del sistema sonoro.

Ubique las cajas acústicas entre los micrófonos y la audiencia.

El mejor tipo de retroalimentación (microfonía) es el que nunca ocurre. Cuando tenemos un montaje con las cajas acústicas ubicados de tal manera que se evita que el sonido de las cajas acústicas regrese a los micrófonos, es la mejor opción posible, para esto siempre coloque los micrófonos entre las cajas acústicas y la audiencia, para ayudar en esta aplicación, use la función Tone en la opción live (cuando use instrumentos musicales y micrófonos) o speech (cuando se use solo con micrófonos) para que su MAX se ajuste automáticamente para uso en vivo, a fin de ofrecer el mejor sonido antes de la realimentación. Para obtener el mejor rendimiento, utilice micrófonos de la línea AKG.

COLOCACIÓN E INSTALACIÓN

Elija el tono adecuado para cada aplicación.

Tienes a tu disposición un conjunto de funciones de ecualización que ajustan la MAX SERIES a la mayoría de los estilos musicales, en aplicaciones como DJs o streaming de música en fiestas en casa. Para música electrónica usa la función Tone en modo CLUB, para estilo salsa, merengue e cumbia usa esta tecla en modo MUSIC y para música Country y Rock and Roll usa esta función con todas las luces apagadas, para activar la quinta función. Estas son sugerencias según el espectro de frecuencia de cada estilo musical, pero siéntase libre de elegir el modo que mejor se adapte a su estilo.

Utilice cajas acústicas que estén distribuidas en áreas más grandes o que sean reverberantes.

La distribución de las cajas acústicas (a una distancia de 12 metros) permite que se dirija menos sonido hacia las paredes, lo que mejora la interpretación del habla debido a problemas de acústica de la sala. La salida XLR Thru puede ayudar a conectar múltiples unidades de MAX SERIES en esta aplicación

Ajuste de la función Locate para su uso.

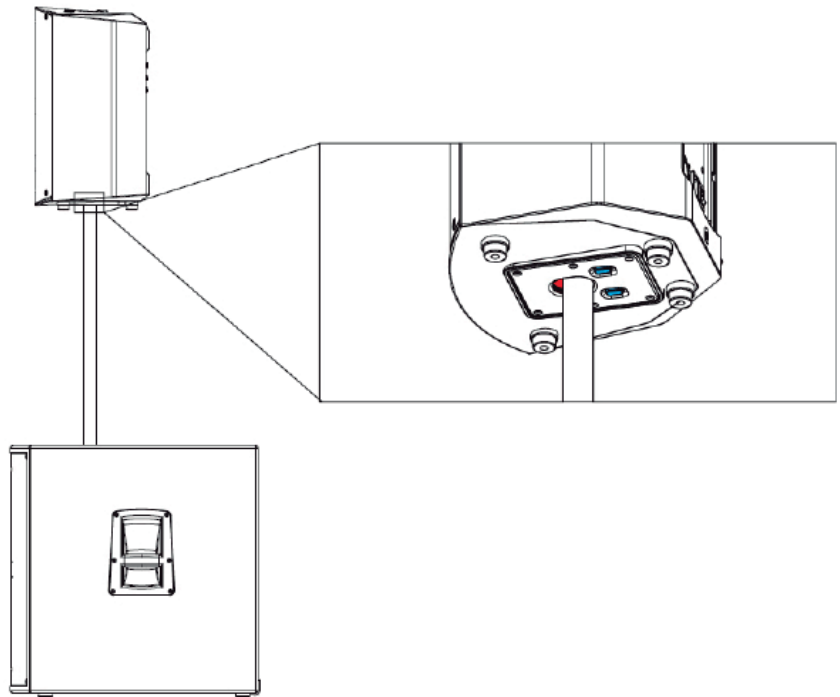
Esta característica está destinada a compensar a través de la ecualización de frecuencia, la atenuación que el aire ofrece a las frecuencias más agudas en función de la distancia, lo que reduce la intensidad del sonido para las personas más alejadas de la caja acústica. Esta función está destinada a compensar este fenómeno físico, y para aplicaciones cercanas como el retorno de escenario, use esta función en modo MONITOR, en aplicaciones de pedestal o trípode use el modo POLE y para aplicaciones izadas o en pedestal con largo alcance (más de 12 metros) utilice la función de localización en el modo BRACKET.

COLOCACIÓN E INSTALACIÓN

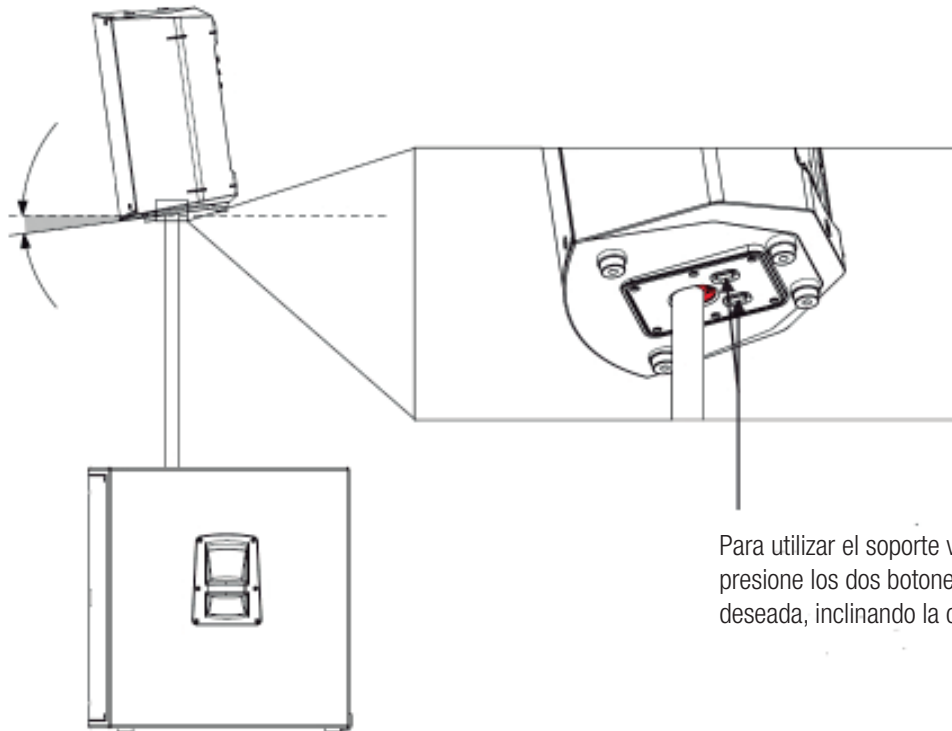
Usando el soporte vertical a 0°

Para usar el soporte vertical sin inclinación, presione los dos botones debajo del equipo y ajuste a la posición de 0° indicada.

Use el soporte en la posición de 0° para áreas abiertas (sin pared final) y la posición de 7,5° cuando esté en espacios cerrados cerca de paredes. Este ajuste de ángulo tiene como objetivo mejorar la percepción acústica en el lugar de uso del equipo, ya que cuando tenemos una pared al final de la habitación y dejamos el soporte en la posición de 0°, el sonido llega a la pared y se refleja, lo que degrada la calidad acústica.



Usando el soporte vertical a 7,5°

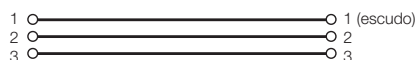


Para utilizar el soporte vertical con una inclinación de 7,5°, presione los dos botones debajo del equipo y ajuste a la posición deseada, inclinando la caja acústica, luego suelte los botones.

CABLES Y CONECTORES

XLR/F para cable de micrófono XLR/M	El cable estándar para interconectar micrófono y señal de nivel de línea en sistemas de audio profesionales. Micrófono para la mesa de mezclas.
Entrada P10 (balanceada) de 1/4 de pulgada para XLR/M	Para conectar dispositivos P10 balanceados de 1/4 de pulgada y se puede usar indistintamente.
Entrada P10 (no balanceada) de 1/4 de pulgada para XLR/M	Para conectar instrumentos con salidas no balanceadas a entradas XLR balanceadas.
Conector P10 TS de 1/4 de pulgada (no balanceado) para XLR/M	Este cable es eléctricamente idéntico a "P10" (no balanceado) de 1/4 de pulgada y se puede usar indistintamente.
Cable XLR/M para RCA (phono)	Conecta productos de audio y algunas salidas de mesa de mezclas de DJ a entradas de equipos de audio profesionales.
Entrada P10 de 1/4 de pulgada a entrada doble P10 de 1/4 de pulgada	Divide una salida estéreo en señales separadas izquierda/derecha.
TS (no balanceado) P2 para cable RCA (Phono)	Conector P2 para conectar la salida de un portátil, teléfono móvil, reproductor MP3, ordenador a una mesa de mezclas.
XLR/F para audio con interruptor de tierra XLR/M	Solo con entradas y salidas balanceadas

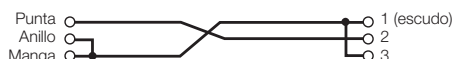
XLR/F para cable de micrófono XLR/M



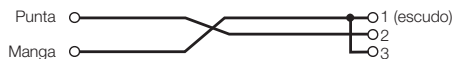
P10 (balanceado) 1/4" para cable XLR/M



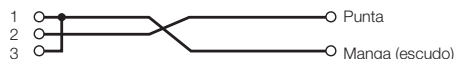
P10 (no balanceado) 1/4" para cable XLR/M



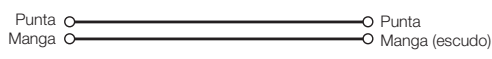
P10 TS (no balanceado) 1/4" para cable XLR/M



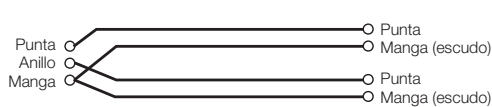
XLR/M para cable RCA (Phono)



P2 TS (no balanceado) P2 para cable RCA (Phono)



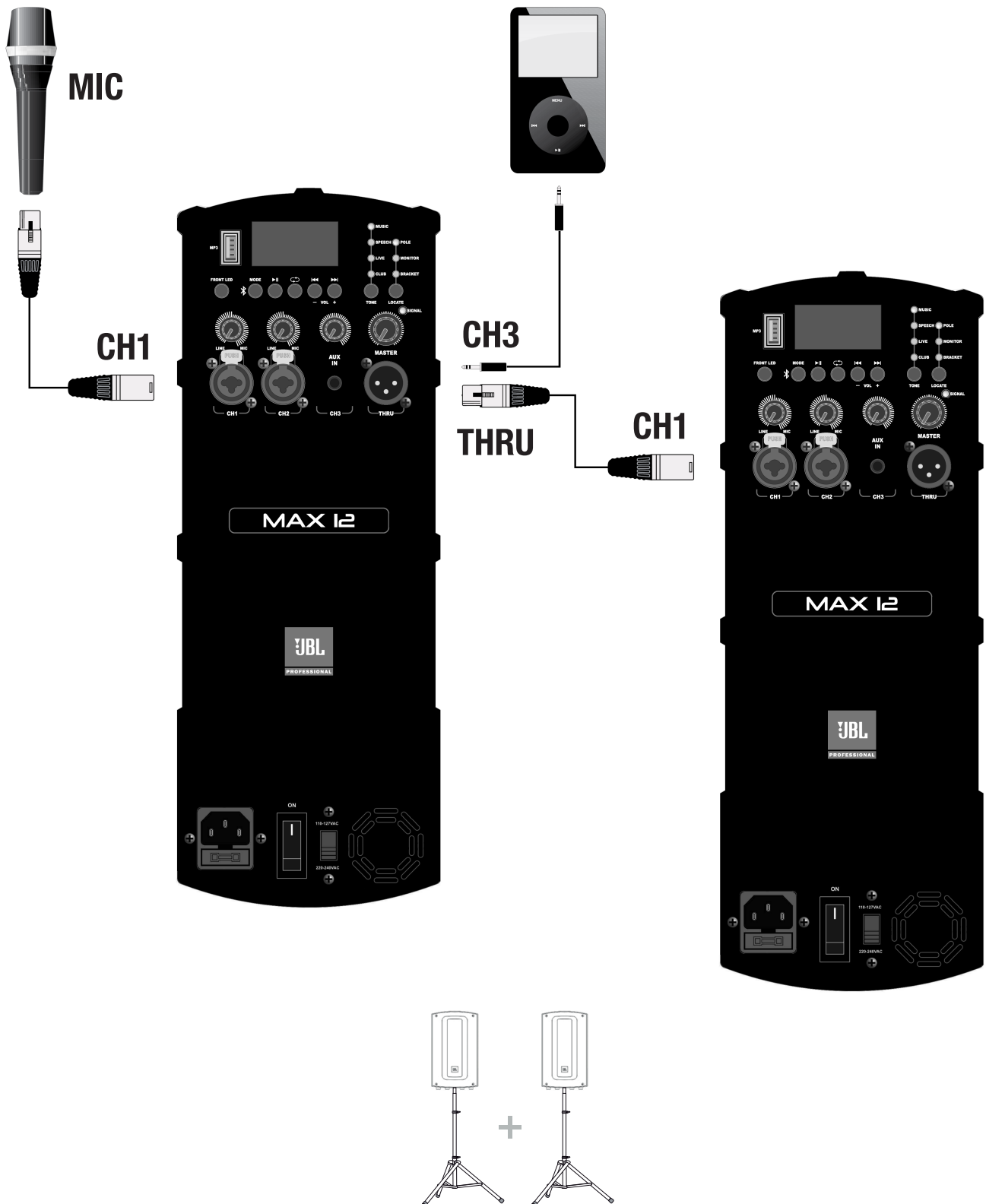
P10 1/4" para cable doble TS P10 1/4"



Adaptador XLR/F a audio con interruptor de tierra XLR/M



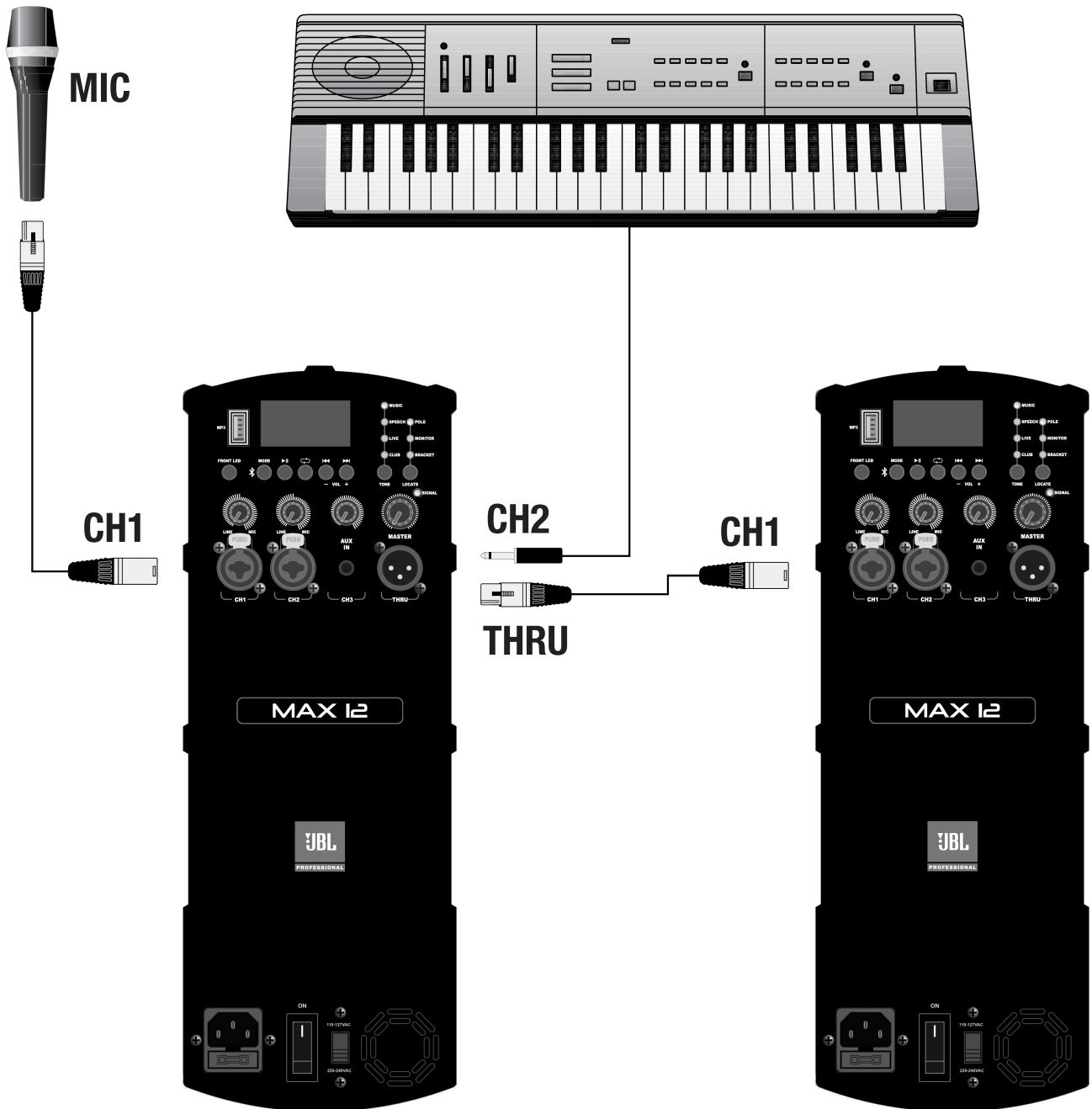
EJEMPLOS DE APLICACIÓN



SISTEMA DE PA QUE UTILIZA 2 ENTRADAS DE AUDIO Y SALIDA THRU

Entrada CH1 configurada en "Mic", entrada CH3 al dispositivo auxiliar externo.

EJEMPLOS DE APLICACIÓN



SISTEMA DE PA UTILIZANDO 2 CAJAS ACÚSTICAS COMO MONITORES

Entrada CH1 ajustada a "Mic" Entrada CH2 ajustada a "Line"

SOLUCIÓN DE PROBLEMAS

Síntoma	Causa probable	Qué hacer
No emite sonido.	Caja acústica no conectado a la red de AC	Asegúrese de que la caja acústica esté enchufado y que el producto esté encendido.
	La energía está apagada	Encienda la alimentación y compruebe si la pantalla gráfica está encendida.
	Caja acústica de modo de bajo consumo	Aplique una señal de audio a cualquier entrada para activar la caja acústica.
No hay sonido, la caja acústica está conectado a la red, pero no funciona.	El cable de alimentación de la caja acústica está defectuoso o no está conectado correctamente.	<ul style="list-style-type: none"> Vuelva a conectar el cable de alimentación en ambos extremos. Reemplácelo con un cable de alimentación de buena calidad.
No emite sonido. la caja acústica se enciende.	La fuente de señal (mesa de mezclas, instrumento, etc.) no se envía.	<ul style="list-style-type: none"> Verifique los medidores VU en la mesa de mezclas de fuente. Compruebe si el dispositivo externo está reproduciendo. Use auriculares para asegurarse de que el instrumento esté enviando una señal de audio.
	Cables y conexiones defectuosos	<ul style="list-style-type: none"> Desconecte y vuelva a conectar los cables de señal. Reemplace el cable que parece estar defectuoso con un cable de buena calidad.
No emite sonido con un micrófono conectado directamente a la entrada MIC/LINE.	El micrófono requiere alimentación Phantom (48V)	MAX no proporciona alimentación Phantom (48 V). Cambie a un micrófono dinámico, use un micrófono a batería (si es posible), use una fuente de alimentación Phantom (48V) externa para micrófonos tipo condensador.
Sonidos de señal distorsionados y muy fuertes.	Señal de entrada excesiva, superando la capacidad de la caja acústica	<ul style="list-style-type: none"> Reduzca el nivel de salida de la fuente. Descarga los controles de nivel en la caja acústica. Utilice cajas acústicas MAX adicionales.
La señal distorsionada suena incluso a volúmenes moderados, la luz LIMIT no está encendida.	La mesa de mezclas u otra fuente está sobrecargada	<p>Revise el manual del propietario de su mesa de mezclas y ajuste los controles según sea necesario.</p> <ul style="list-style-type: none"> Sensibilidad de entrada (ganancia). Faders del canal. Faders principales, una vez que haya terminado, revise las instrucciones en la sección Inicio rápido de esta guía.
Mucho silbido en el sonido, los controles de la mesa de mezclas están en ajustes muy bajos.	Estructura de ganancia inapropiada	<ul style="list-style-type: none"> Asegúrese de que el interruptor MIC/LINE esté en la posición correcta. El funcionamiento del interruptor Mic/Line será ligeramente diferente. Reduzca la configuración de nivel en la caja acústica. Revise el manual del propietario de su mesa de mezclas y ajuste los controles según sea necesario. Sensibilidad de entrada (ganancia). Faders del canal. Master faders.
Ruido o siseo a la salida.	Dispositivo de fuente ruidosa	Desconecte los dispositivos que están conectados a la caja acústica de uno en uno. Si el ruido desaparece, el problema está en la fuente o en el cable de conexión.
Zumbido que aumenta o disminuye al mover los controles de nivel de la mesa de mezclas.	Alimentación de AC inadecuada o equipo defectuoso conectado a la entrada de la mesa de mezclas	Apague o silencie los canales uno a la vez para aislar el problema. Consulte el manual del propietario del equipo defectuoso para obtener ayuda con la resolución de problemas.
	Cable defectuoso entre el equipo fuente y la mesa de mezclas	Reemplace el cable que parece estar defectuoso con un cable de buena calidad.
Zumbido	Circuitos de tierra, alimentación de AC inadecuados	<ul style="list-style-type: none"> Desconecte la toma de tierra del conector de audio con un adaptador XLR/F a XLR/M en uno de los extremos. Coloque los cables de audio lejos de los cables de alimentación de AC y los cables de iluminación.
	Tramo del cable excesivamente largo y no balanceado	<ul style="list-style-type: none"> Utilice las salidas balanceadas (si están disponibles) de la mesa de mezclas o equipo fuente para impulsar la caja acústica MAX. Utilice un convertidor DI para convertir la salida no balanceada de su equipo en una salida balanceada.
	Estructura de ganancia del sistema inadecuada	Reduzca los controles de nivel de entrada y aumente el nivel de salida de los dispositivos fuente.

WARRANTY TERM

Your HARMAN warranty protects the original owner and all subsequent owners as long as: A.) Your HARMAN product was purchased from an authorized Harman South America dealer and B.) The original dated sales invoice is presented whenever required for warranty service. It is very important that you read this Warranty Term carefully and keep it carefully, as it contains clarifications on how to use the warranty, as well as the hypotheses not covered by the warranty. Any attempt to transfer this warranty will immediately void it. This limited warranty is valid only for HARMAN products in new product condition purchased from an authorized HARMAN dealer. The conventional and limited warranty offered is exclusive and granted only in the territory of the country where the product was purchased. This product has been carefully tested at every stage of the manufacturing process. However, in the unlikely event of a manufacturing fault or material defect, the responsible local distributor will undertake analysis and appropriate solution.

I - Warranty Conditions:

- The warranty is assigned to the original purchaser of a new product, holder of the purchase invoice, which must be presented together with this Warranty Term.
- For products that must be installed: the warranty will only be granted if the product is installed by a specialized professional;
- Harman covers products that have a manufacturing defect within the duration of the Warranty Period.
- To validate the warranty, the product must be delivered with all its original accessories.

II - The Guarantee will not be granted in the following cases:

- If the invoice/purchase receipt is altered or illegible in any way, making it impossible to verify the date, place of purchase and other data necessary to grant the guarantee;
 - If any part, piece, or component of the product is violated or not original;
 - If the product has suffered damage such as falling or spilling liquids or food of any kind;
 - If the serial number or manufacturing date indicated on the product is damaged or illegible;
 - If the product has been opened for repair or in any way altered by a person not authorized by the local distributor;
 - In the case of speakers: If the product has a broken or damaged cone, a bent speaker body or a burned coil;
 - If the instructions and warnings contained in the user manual are not followed when using the equipment;
 - If the defect is caused by: Incorrect interconnections, external equipment, defective or incompatible devices connected to the product, variations in the electrical network, connection to an inadequate voltage or atmospheric discharges (lightning), exposure to humidity, excess dust, sunlight and salinity;
 - If the applicant for the guarantee is not the original user and the purchase is not accredited by invoice/receipt for all legal purposes;
- In the event of the hypotheses described in letters 'b)' to 'h)', the Contractual Guarantee will be definitively extinguished, even if the product is repaired at your expense by an authorized service center.

III - Harman does not cover expenses:

- With batteries, cables, sponges/pads/headphone cushions or other parts that wear out with use;
- Generated when repairing the product damaged by poor packaging by the customer;
- With accidents, packaging, or insurance of any nature;
- Improper use of the product or without due observance of Harman's technical recommendations;
- Derived from the fatigue expected with normal use of the product.

IV - Warranty Period:

- To obtain information about the warranty period, please contact the store or authorized dealer where you purchased your product. Any warranty service or part replacement will not extend the warranty period, and any part or product replaced under warranty will only cover the remainder of the original product's warranty period, or as required by consumer law in your country.
- This limited warranty covers the cost of labor and materials required for the repair or replacement of the defective product. Please check with your authorized HARMAN dealer for return shipping policies applicable within the country where the repair is performed. Please make sure to keep all the original packaging, as you may be charged for any additional packaging or boxes.
- You will be charged for the cost of examining a unit that is not in need of repair (including resulting shipping costs), or for necessary repairs not covered by this Limited Warranty.

HOW TO OBTAIN WARRANTY SERVICE:

To request warranty service, please contact the store or authorized dealer where you purchased your product. To validate your entitlement to the limited warranty, you must provide the original dated invoice. Warranty repairs for a Harman product must be performed by an authorized service center. Unauthorized warranty repairs will void the warranty and are carried out at your own risk. You are also welcome to consult the relevant country specific HARMAN support website for your Product for helpful hints.

TÉRMINO DE GARANTÍA

Su garantía de HARMAN protege al propietario original y a todos los propietarios posteriores siempre y cuando: A.) Su producto HARMAN se haya adquirido desde un distribuidor autorizado de Harman Sudamérica y B.) La factura de venta con fecha original se presente siempre que la requiera el servicio de garantía. Es muy importante que lea atentamente este Término de Garantía y lo conserve atentamente, ya que contiene aclaraciones sobre cómo utilizar la garantía, así como las hipótesis no cubiertas por la garantía. Cualquier intento de transferir esta garantía anulará inmediatamente la misma. Esta garantía limitada sólo es válida para los productos en condiciones de producto nuevo HARMAN adquiridos a un distribuidor autorizado. La garantía convencional y limitada ofrecida es exclusiva y concedida solamente en el territorio del país donde el producto ha sido comprado. Este producto ha sido evaluado cuidadosamente en cada etapa del proceso de fabricación. Sin embargo, en el improbable caso de que se produzca alguna falla de fabricación o defecto de material empleado, el distribuidor local responsable se encargará del análisis y solución adecuada.

I - Condiciones de Garantía:

- La garantía se asigna al comprador original de un producto nuevo, titular de la factura de compra, la cual deberá presentarse junto con el presente Término de Garantía.
- Para productos que deban ser instalados: la garantía sólo se otorgará si el producto es instalado por un profesional especializado;
- Harman cubre los productos que tengan un defecto de fabricación dentro de la duración del Período de Garantía.
- Para validar la garantía, el producto deberá ser entregado con todos sus accesorios originales.

II - La Garantía no se otorgará en los siguientes casos:

- Si la factura/boleto de compra está de cualquier forma alterada o es ilegible, imposibilitando verificar la fecha, lugar de compra y demás datos necesarios para otorgar la garantía;
 - Si alguna parte, pieza o componente del producto es violado o no original;
 - Si el producto ha sufrido daños como caída o derrame líquidos o alimentos de cualquier naturaleza;
 - Si el número de serie o fecha de fabricación que indica el producto está roto o es ilegible;
 - Si el producto ha sido abierto para reparación o de cualquier forma alterado por una persona que no sea autorizada por el distribuidor local;
 - En el caso de parlantes: Si el producto tiene el cono roto o dañado, el cuerpo del parlante doblado o la bobina quemada;
 - Si al utilizar el equipo no se siguen las instrucciones y advertencias contenidas en el manual de usuario;
 - Si el defecto es causado por: Interconexiones incorrectas, equipo externo, dispositivos defectuosos o incompatibles conectados al producto, variaciones en la red eléctrica, conexión a una tensión inadecuada o descargas atmosféricas (rayos), exposición a la humedad, al exceso de polvo, luz solar y salinidad;
 - El solicitante de la garantía no es el usuario original y la compra no está acreditada mediante factura/boleto para todos los efectos legales;
- En el supuesto de darse las hipótesis descritas en las letras 'b)' hasta 'h)', la Garantía Contractual quedará definitivamente extinguida, aunque el producto sea reparado a su cargo por centro de servicio autorizado.

III - Harman no cubre gastos:

- Con baterías, cables, esponjas/almohadillas/acolchados de audífonos u otras piezas que sufran desgaste con el uso;
- Generados al reparar el producto dañado por mal embalaje realizado por el cliente;
- Con accidentes, embalajes o seguros de cualquier naturaleza;
- Uso inadecuado del producto o sin la debida observancia de las recomendaciones técnicas de Harman;
- Derivados de la fatiga esperada con el uso normal del producto.

IV - Período de Garantía:

- Para obtener información sobre el período de garantía, comuníquese con la tienda o el distribuidor autorizado donde usted compró su producto. Cualquier servicio de garantía o reemplazo de piezas no extenderá el período de garantía, así como pieza o producto reemplazado en garantía asumirá solo el resto del Período de garantía del producto original o según indica la ley del consumidor en su país.
- Esta garantía limitada cubre los gastos de mano de obra y materiales necesarios para la reparación o sustitución del producto que sea defectuoso. Verifique con el distribuidor autorizado de HARMAN las políticas de envío de devolución dentro del país de reparación. Por favor, asegúrese de guardar el embalaje de cartón original, ya que posiblemente se le cobrará por cualquier embalaje o caja adicional.
- Se le cobrará el coste de examinar una unidad que no necesite reparación (incluyendo los gastos de envío resultantes) o por reparaciones necesarias que no estén cubiertas por la garantía limitada.

CÓMO OBTENER EL SERVICIO DE GARANTÍA:

Para solicitar un servicio en garantía comuníquese con la tienda o distribuidor autorizado donde adquirió su producto. Para validar su derecho a la garantía limitada, usted debe proporcionar la factura de compra con fecha original. La reparación de garantía de un producto Harman debe ser realizada por un centro de servicio autorizado. Una reparación en garantía no autorizada anulará la garantía y se realiza bajo su propia responsabilidad. Se le anima también a consultar el sitio web de soporte de HARMAN específico del país para su producto donde encontrará recomendaciones útiles.

