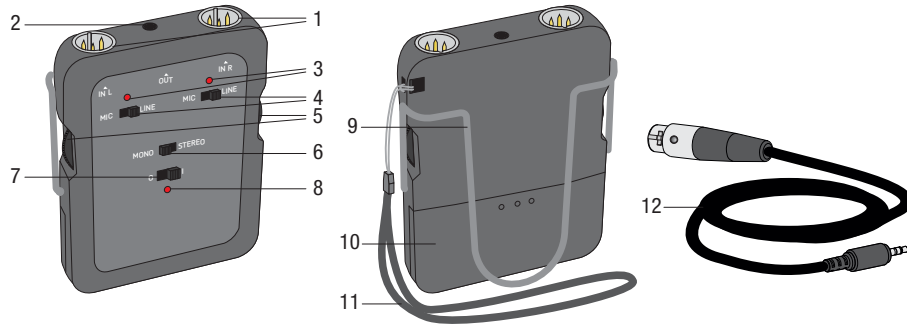


# B23 L Quick Start Guide

## 1 Controls

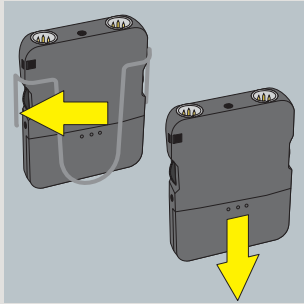


- 1 Mini-XLR input (x2)
- 2 STEREO OUT / 3.5 mm jack
- 3 CLIP LED (x2)
- 4 MIC / LINE switch (x2)
- 5 VOLUME poti (x2)
- 6 MONO / STEREO switch
- 7 ON / OFF switch
- 8 STATUS LED
- 9 Belt clip
- 10 Battery cover
- 11 Strap
- 12 Cable 3.5 mm jack / Mini-XLR

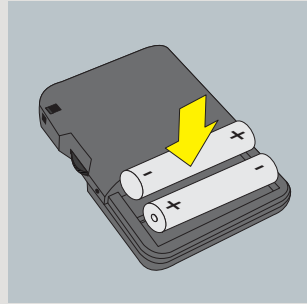
This product conforms to the standards listed in the Declaration of Conformity. To order a free copy of the Declaration of Conformity, visit <http://www.akg.com> or contact [sales@akg.com](mailto:sales@akg.com).  
Dieses Produkt entspricht den in der Konformitätserklärung angegebenen Normen. Sie können die Konformitätserklärung auf <http://www.akg.com> oder per E-Mail an [sales@akg.com](mailto:sales@akg.com) anfordern.  
Ce produit est conforme aux normes citées dans la Déclaration de Conformité, dont vous pouvez prendre connaissance en consultant le site <http://www.akg.com> ou en adressant un e-mail à [sales@akg.com](mailto:sales@akg.com).  
Este aparato corresponde a las normas citadas en la declaración de conformidad. Esta última está disponible en el sitio <http://www.akg.com> o puede ser solicitada al correo electrónico [sales@akg.com](mailto:sales@akg.com).

Further information can be found in the operating instructions as a PDF download from [www.akg.com](http://www.akg.com).  
Weitere Informationen finden Sie in der Bedienungsanleitung als PDF Download unter [www.akg.com](http://www.akg.com).  
Pour toutes informations complémentaires, consulter la Notice d'utilisation à télécharger au format PDF sur le site [www.akg.com](http://www.akg.com).  
Obtendrá más información en el manual de funcionamiento que puede descargar en formato PDF en [www.akg.com](http://www.akg.com).

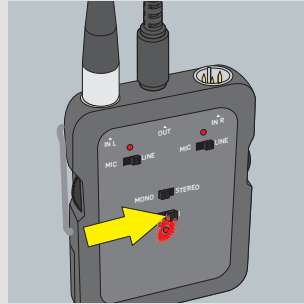
## 2 Setting Up



Remove belt clip (9) and battery cover (10).

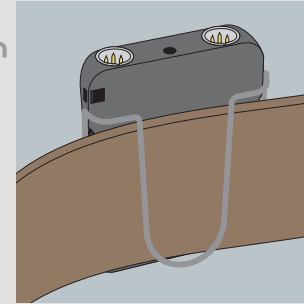


Insert batteries (AA size).



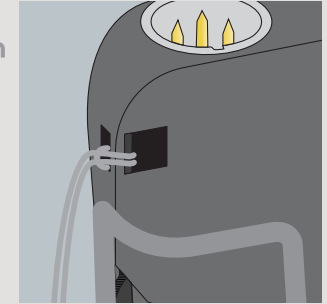
Switch on the B23 L.  
STATUS LED (8) **lights up approx. 1 sec.**: B23 L is ready for operation; **doesn't light**: check battery status and direction; **lights up during operation**: replace batteries

## 3 Mounting



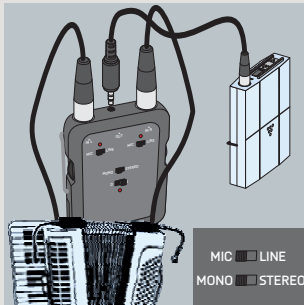
Attach the B23 L to a belt with the battery compartment facing to the body.

## 3 Mounting



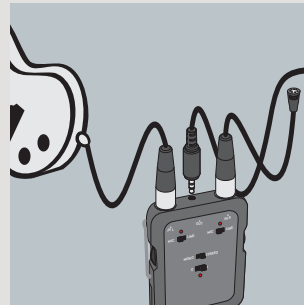
Install the strap (11).

## 4 Application MONO



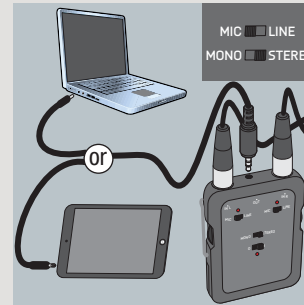
Two microphones on an accordion.  
Connect a bodypack transmitter with cable (12).

## 5 Application MIX



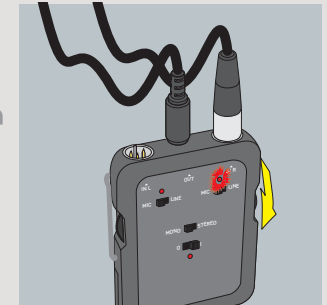
IN: Connect instrument and microphone to the B23 L.  
OUT: Connect a bodypack transmitter or mixer with cable (12). Choose: MIC/LINE, MONO/STEREO.

## 6 Application STEREO RECORDING



Connect PC or mobile recording device to B23 L (cable 3.5 mm jack to 3.5 mm jack not included).

## 7 GAIN Setting



If CLIP LED (3) lights up frequently, reduce the VOLUME poti (5) or change from MIC to LINE (4).

[www.akg.com](http://www.akg.com)

NOTICE! Do not use pocket transmitters in range closer than 10 cm.

AKG Acoustics GmbH  
LAXENBURGER STRASSE 254, 1230 VIENNA /AUSTRIA, PHONE: +43 1 86654 0  
E-MAIL: [SALES@AKG.COM](mailto:SALES@AKG.COM)

For other products and distributors worldwide visit [www.akg.com](http://www.akg.com)

Specifications subject to change without notice. Technische Änderungen vorbehalten. Ces caractéristiques sont susceptibles de modifications.  
Nos reservamos el derecho de introducir modificaciones técnicas.